

BUG-0-WS13

EKG Budgie Cart



Ergonomic



Easy to clean



Multi purpose



Lifetime warranty



Quick setup



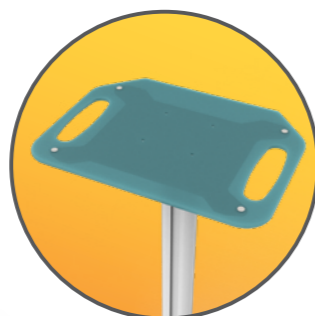
FEATURES



Designed and manufactured in Hungary, products are typically 100% recyclable and upgradable in the future. Raw materials are sourced locally or in the EU.



Channels to fix accessories



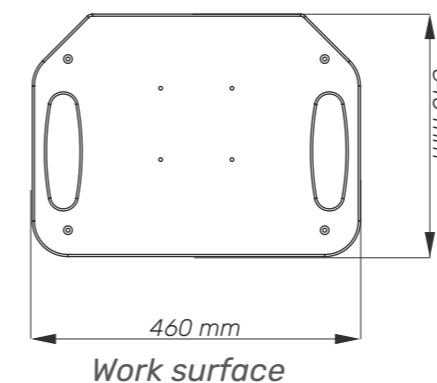
Work surface with handle



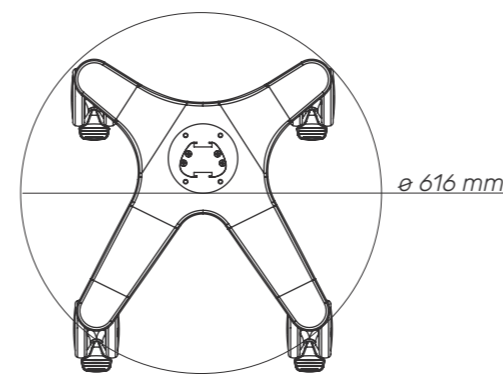
Lockable wheels

Cart Properties

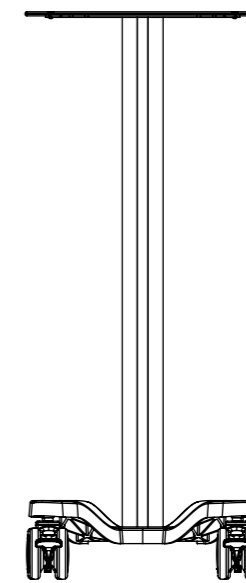
Dimensions and mechanical data



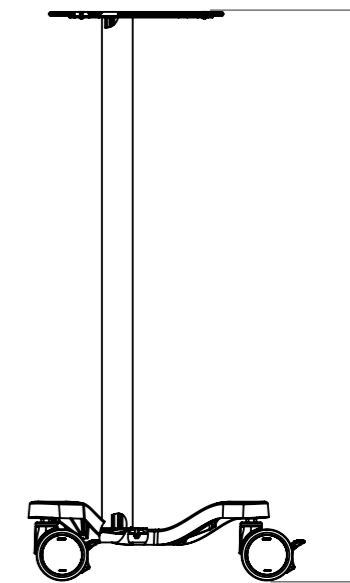
Work surface



Base



Front



Side

Mechanical data	
Height	1110 mm
Wheelbase dimension	616 mm (diameter)
Wheel construction	Polyamide with Polyurethane tread
Wheels/locking	2 lockable, 100 mm diameter
Loading capacity	25 kg
Work surface size	460x340 mm
Construction	
Main material	Aluminium
Color	
RAL 9016	
Custom color	
Certificates	
Certificates conforms to	IEC60601-1:2012 (Edition 3)
CE	Rohs compliant