

# BUG-PHI-4

Designed for Double pin mounting devices

-  Ergonomic
-  Easy to clean
-  Multi purpose
-  Lifetime warranty
-  Quick setup



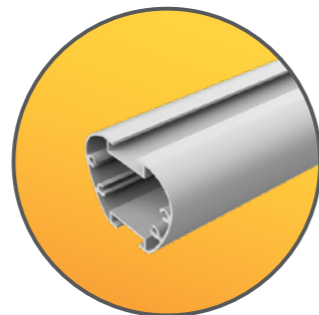
## FEATURES



Designed and manufactured in Hungary, products are typically 100% recyclable and upgradable in the future. Raw materials are sourced locally or in the EU.



Double pin mounting



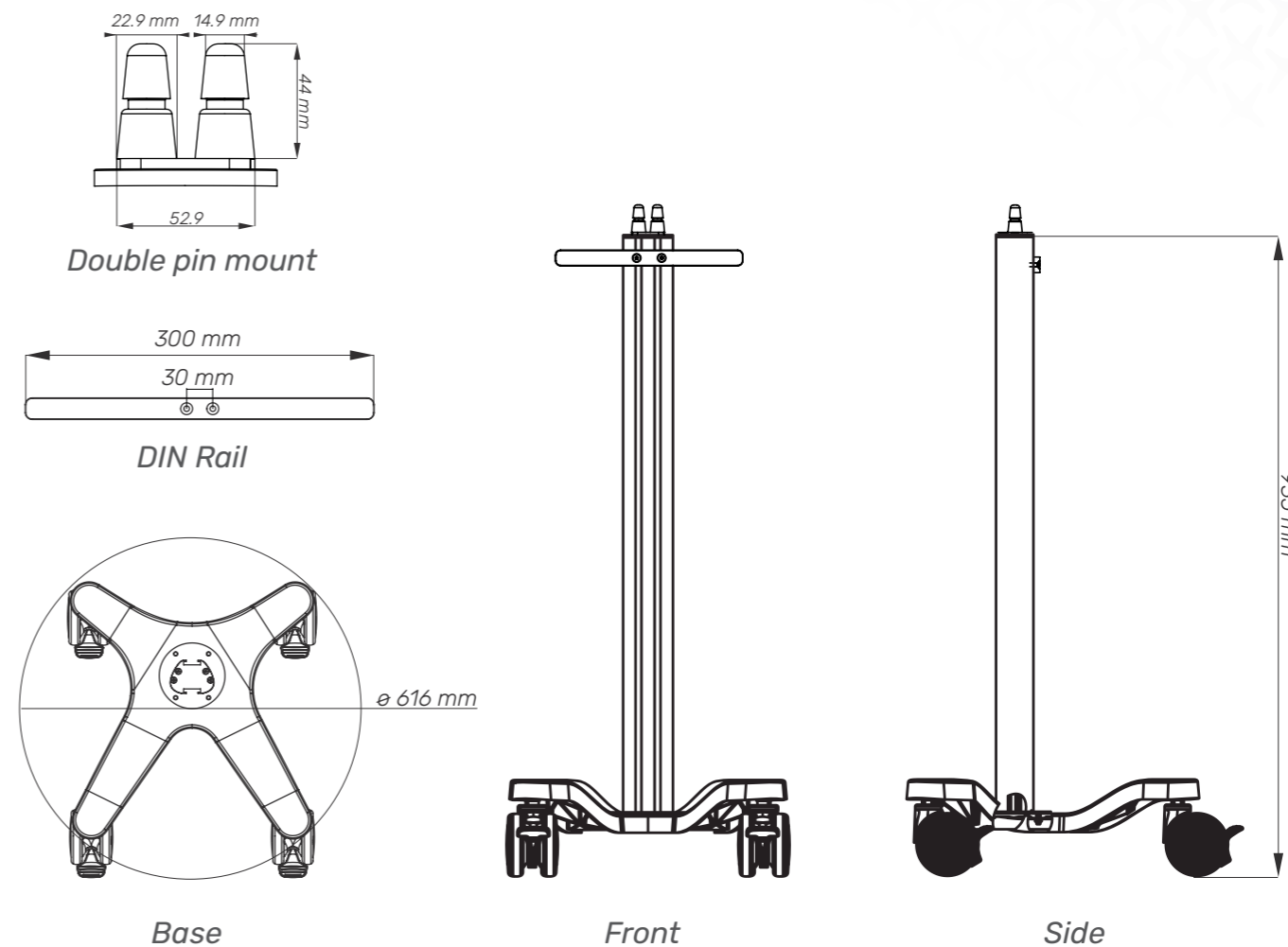
Channels to fix accessories



DIN Rail to fix accessories

# Cart Properties

Dimensions and mechanical data



Mechanical data	
Height	1100 mm
Wheelbase dimension	616 mm (diameter)
Wheel construction	Polyamide with Polyurethane tread
Wheels/locking	2 lockable, 100 mm diameter
Loading capacity	25 kg
Construction	
Main material	Aluminium
Color	
RAL 9016	
Custom color	
Certificates	
Certificates conforms to	IEC60601-1:2012 (Edition 3)
CE	Rohs compliant