

BEAVER 1

BV1

Height adjustable workstation with
Display mount and Power supply holder



Ergonomic



Easy to clean



Small footprint



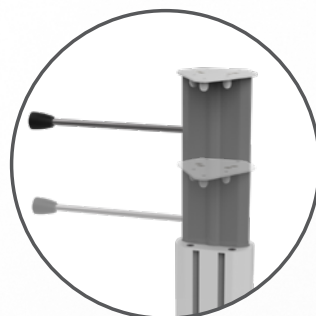
8 years warranty



Quick setup



*Display mount with
cable management holes*



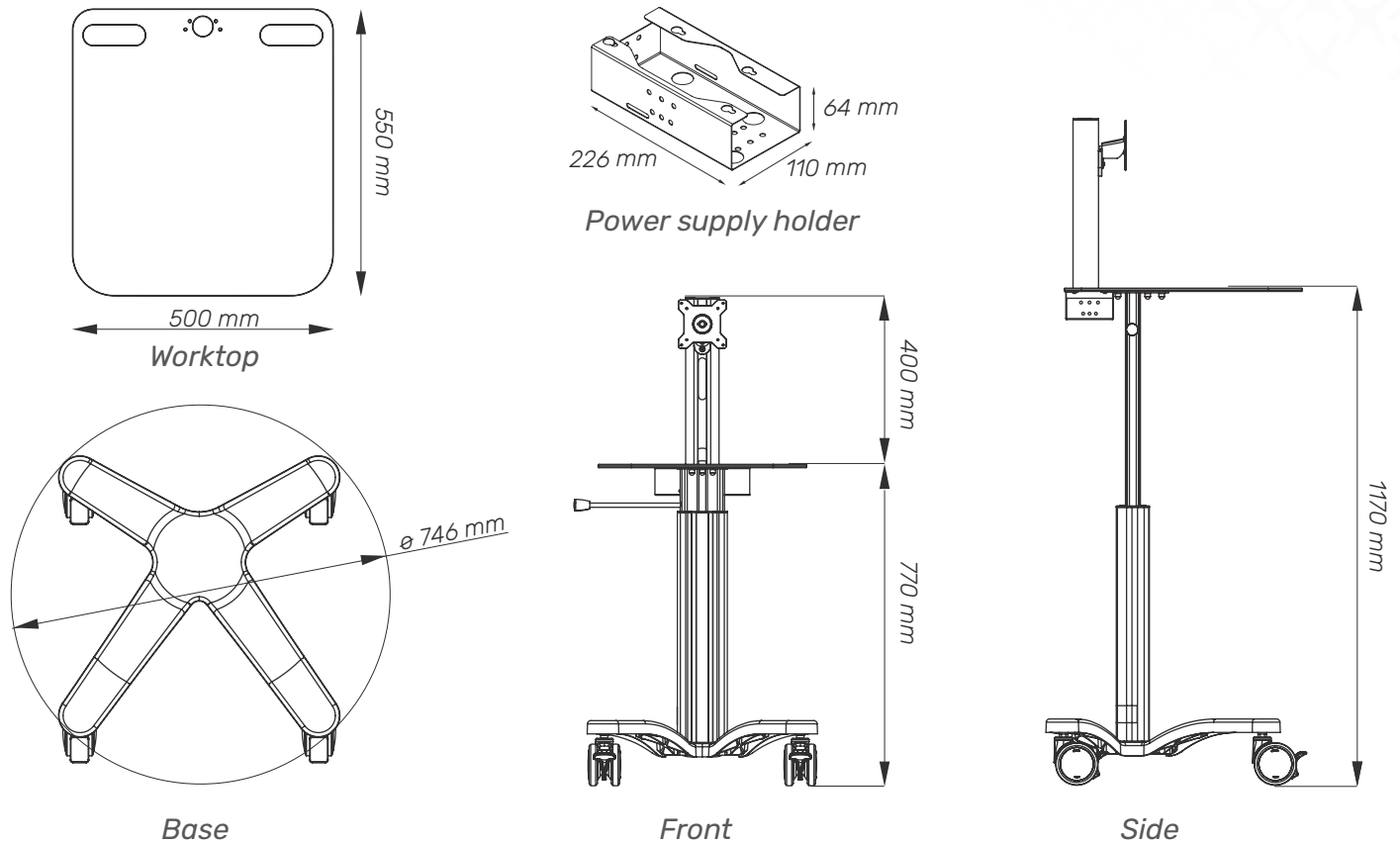
*Height adjustable
column with gas spring*






*Wide range of
accessories is available*

Cart Properties

Dimensions and mechanical data



Mechanical data	
Height	Min.: 770 mm - Max.: 1170 mm
Wheelbase dimension	746 mm (diameter)
Work surface dimensions	Width: 500 mm Height: 550 mm
Wheels/locking	4 lockable, 100 mm diameter
Loading capacity	35 Kg
Cart weight	20 Kg
Construction	
Main material	Aluminium
Color	
Tiger Drylac® 68/50396 (Metallic)	
White (RAL 9016)	
Custom color	
Certificates	
Certificates conforms to	IEC60601-1:2012 (Edition 3)
CE	Rohs compliant