

BEAVER 1 Plus

BV1-6-10

Height adjustable workstation with Display mount, Keyboard Tray, Computer mount and Power strip



Ergonomic



Easy to clean



Small footprint



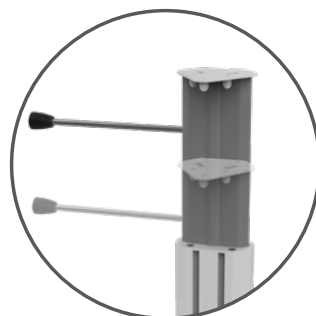
8 years warranty



Quick setup



Display mount with cable management holes



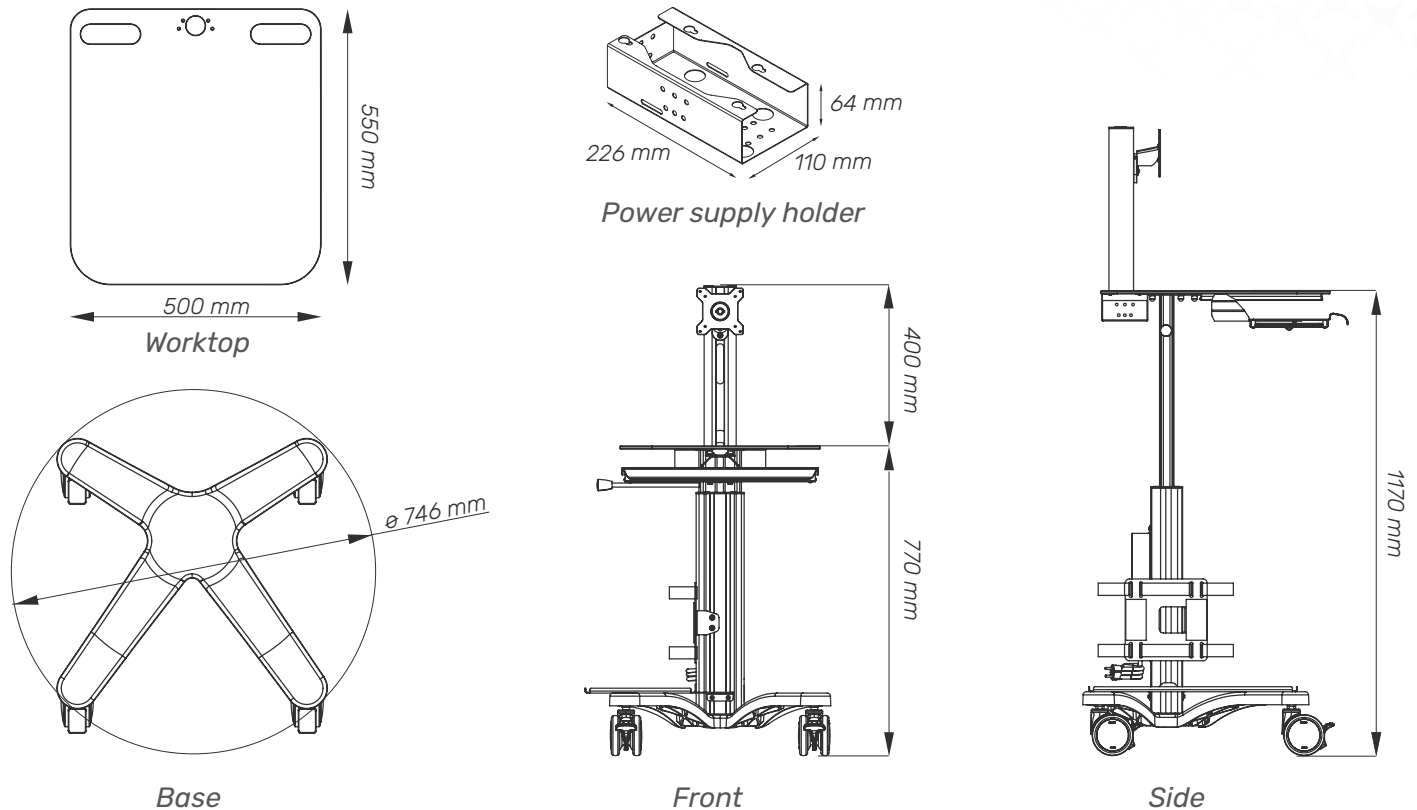
Height adjustable column with gas spring






Wide range of accessories is available

Cart Properties

Dimensions and mechanical data



Mechanical data	
Height	Min.: 770 mm - Max.: 1170 mm
Wheelbase dimension	746 mm (diameter)
Work surface dimensions	Width: 500 mm Height: 550 mm
Wheels/locking	4 lockable, 100 mm diameter
Loading capacity	35 Kg
Cart weight	25 Kg
Power strip	4 plugs
Construction	
Main material	Aluminium
Color	
Tiger Drylac® 68/50396 (Metallic)	
White (RAL 9016)	
Custom color	
Certificates	
Certificates conforms to	IEC60601-1:2012 (Edition 3)
CE	Rohs compliant