

BEAVER 2

BV2

All-in-one computer workstation with Display mount, Scanner holder, Handle, Shelves, Cable management holes



Ergonomic



Easy to clean



Small footprint



8 years warranty



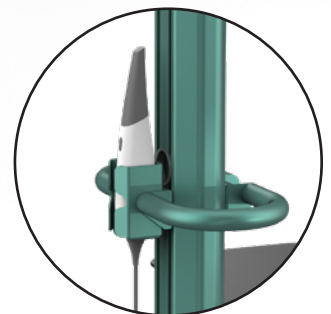
Quick setup



Display mount with cable management holes



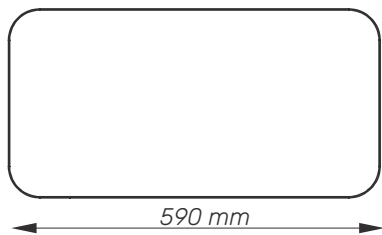
Shelves for keyboard, mouse and power supply holders



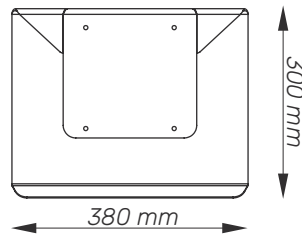
Scanner holder on the back

Cart Properties

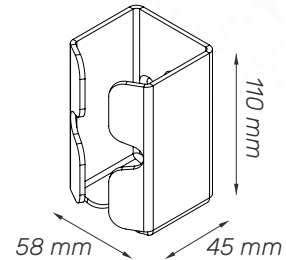
Dimensions and mechanical data



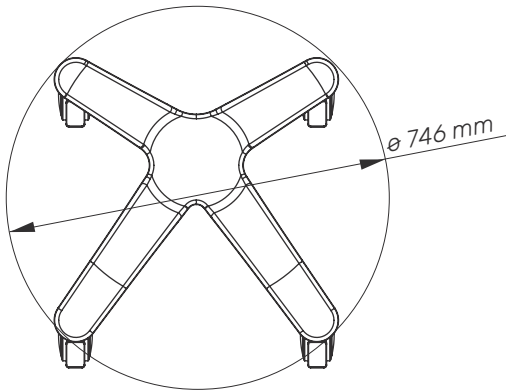
Keyboard shelf



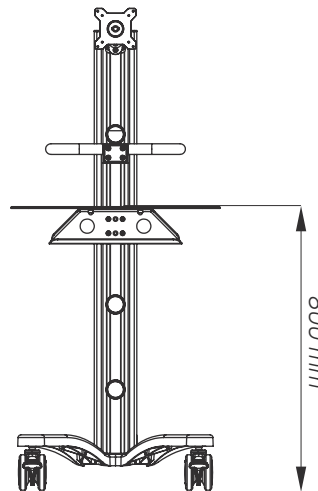
Power supply holder (Height: 100 mm)



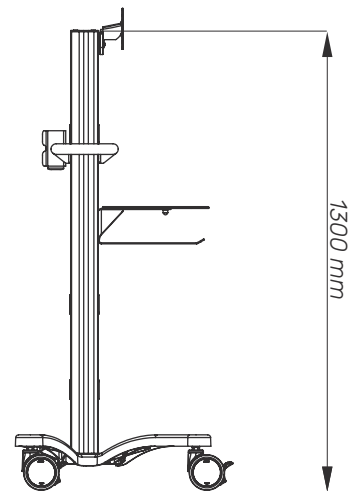
Scanner holder



Base



Front



Side

Mechanical data

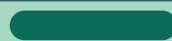
Height	1300 mm
Wheelbase dimension	746 mm (diameter)
Work surface dimensions	Width: 590 mm Height: 300 mm
Wheels/locking	4 lockable, 100 mm diameter
Loading capacity	35 Kg
Cart weight	25 Kg

Construction

Main material	Aluminium
---------------	-----------

Color

Tiger Drylac® 68/50396 (Metallic)



White (RAL 9016)



Custom color



Certificates

Certificates conforms to	IEC60601-1:2012 (Edition 3)
CE	Rohs compliant