

BEAVER 3

BV3-6-1

All-in-one computer workstation with Display mount, Scanner holder, Handle, Power supply holder, Cable management



Ergonomic



Easy to clean



Small footprint



8 years warranty



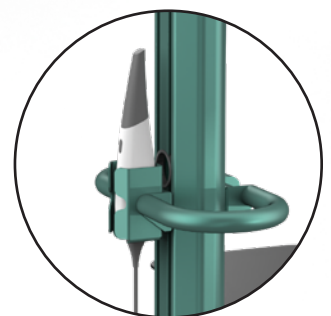
Quick setup



Display mount with cable management holes



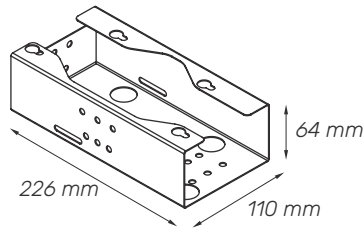
Handle & Power supply holder



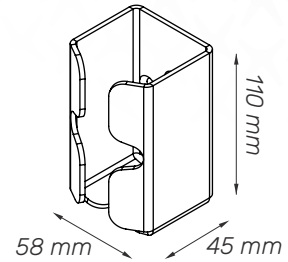
Scanner holder

Cart Properties

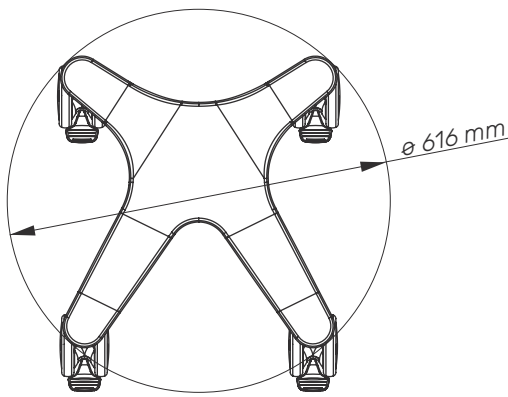
Dimensions and mechanical data



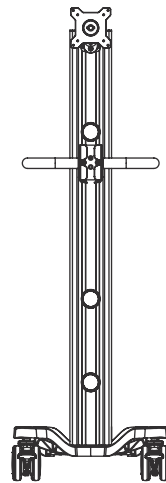
Power supply holder



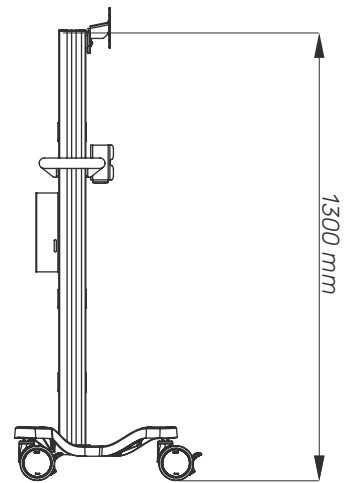
Scanner holder





Base



Front



Side

Mechanical data	
Height	1300 mm
Wheelbase dimension	616 mm (diameter)
Wheels/locking	4 lockable, 100 mm diameter
Loading capacity	35 Kg
Cart weight	17 Kg
Construction	
Main material	Aluminium
Color	
Tiger Drylac® 68/50396 (Metallic)	
White (RAL 9016)	
Custom color	
Certificates	
Certificates conforms to	IEC60601-1:2012 (Edition 3)
CE	Rohs compliant