

BEAVER 6

BV6-4-9

Piezosurgery cart



Ergonomic



Easy to clean



Small footprint



8 years warranty



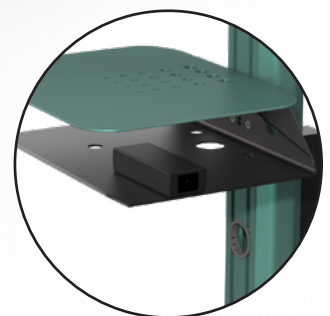
Quick setup



Shelves for devices



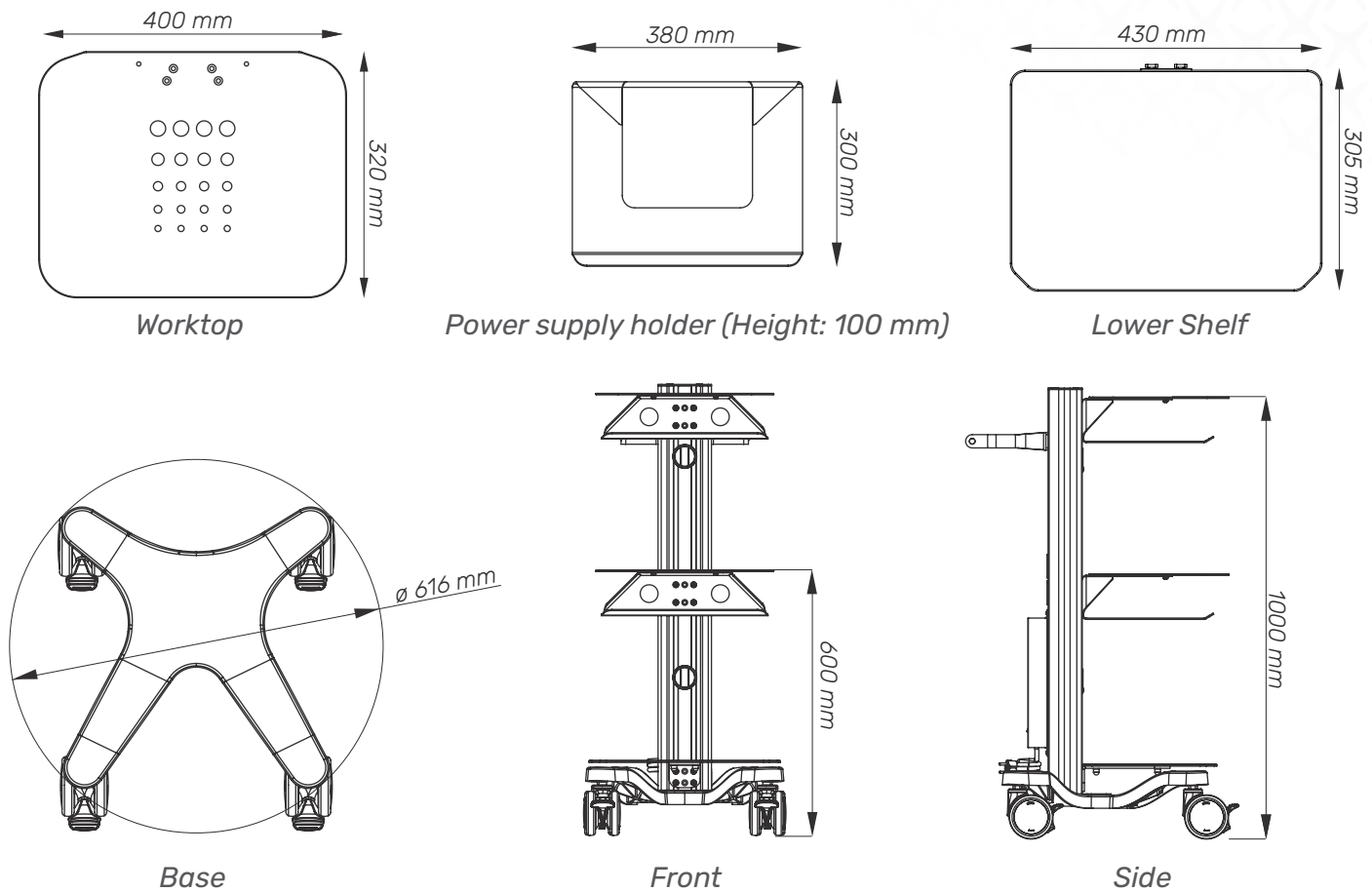
Power strip





Shelf for PSU

Cart Properties

Dimensions and mechanical data



Mechanical data	
Height	1000 mm (Upper worktop)
Wheelbase dimension	616 mm (diameter)
Work surface dimensions	Width: 400 mm Height: 320 mm
Wheels/locking	4 lockable, 100 mm diameter
Loading capacity	36 Kg
Cart weight	20 Kg
Power strip	4 plugs
Construction	
Main material	Aluminium
Color	
Tiger Drylac® 68/50396 (Metallic)	
Custom color	
Certificates	
Certificates conforms to	IEC60601-1:2012 (Edition 3)
CE	Rohs compliant