

# **CHA4-0**

Height adjustable cart  
for general purposes

## Chameleon 4 Range



*Ergonomic*



*Easy to clean*



*Multi purpose*



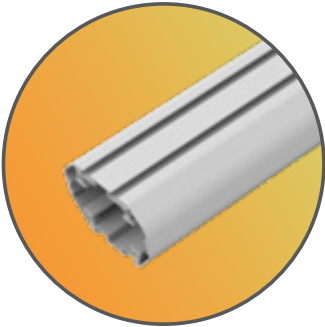
*Lifetime warranty*



*Quick setup*



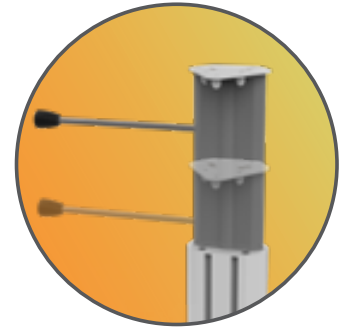
## FEATURES



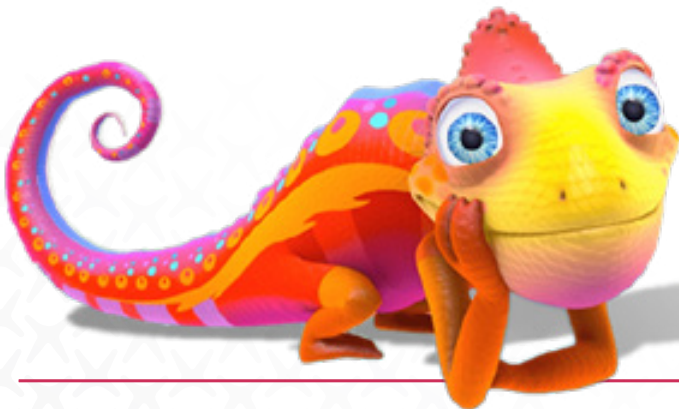
*Built in channels to fix  
accessories*



*Lockable wheels*



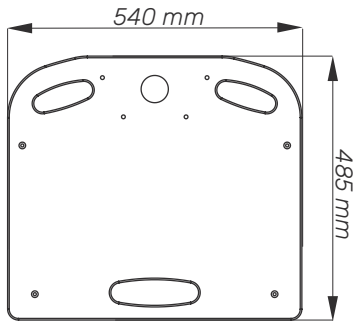
*Height adjustment*



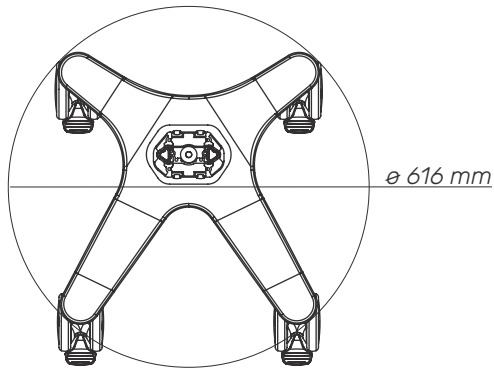
*Designed and manufactured in  
Hungary, products are typically  
100% recyclable and upgradable  
in the future. Raw materials are  
sourced locally or in the EU.*

# Cart Properties

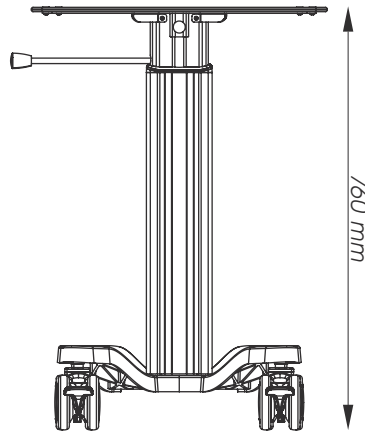
## Dimensions and mechanical data



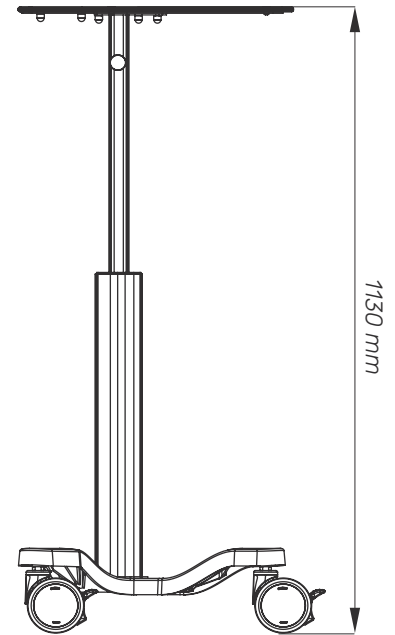
Worksurface



Top



Front



Side

### Mechanical data

Height	Min: 760 mm Max: 1130 mm
Wheelbase dimension	616 mm (diameter)
Work surface dimensions	Width: 700 mm Height: 500 mm
Wheels/locking	2 lockable, 100mm diameter
Loading capacity	25 kg

### Construction

Main material	Aluminium, PMMA
---------------	-----------------

### Color

RAL 9016	
Custom color	

### Certificates

Certificates conforms to	IEC60601-1:2012 (Edition 3)
CE	Rohs compliant