

CHA4-3-0072

Height adjustable cart with rubber holders,
Storage and Power supply holder

Chameleon 4 Range



Ergonomic



Easy to clean



Multi purpose



Lifetime warranty



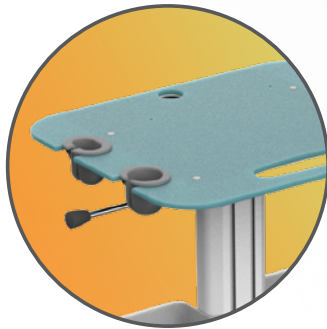
Quick setup



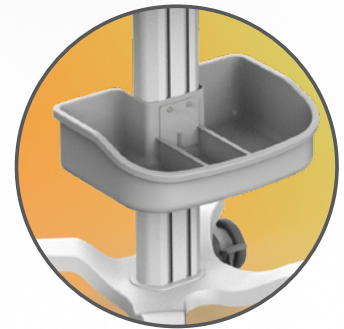
FEATURES



Power supply holder



Rubber holders



Storage

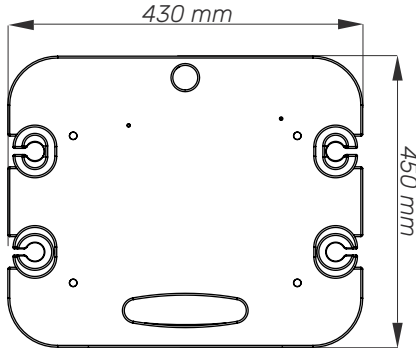


Designed and manufactured in Hungary, products are typically 100% recyclable and upgradable in the future. Raw materials are sourced locally or in the EU.

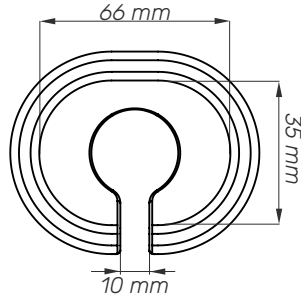
Cart Properties

Dimensions and mechanical data

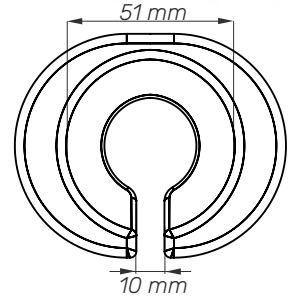
Accessories
available



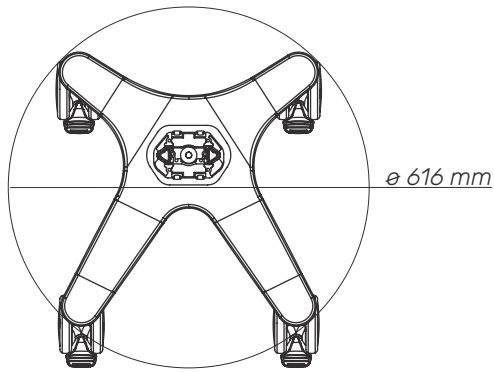
Work surface



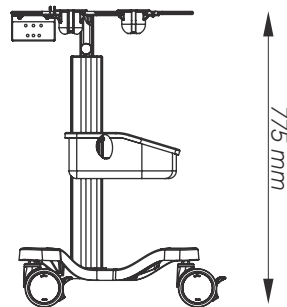
Rubber holder rear



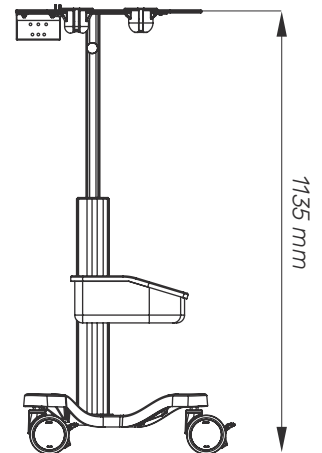
Rubber holder front



Top



Front



Side



Mechanical data

Work surface height	Min: 775 mm Max: 1135 mm
Wheelbase dimension	616 mm (diameter)
Work surface dimensions	Width: 430 mm Height: 450 mm
Wheels/locking	2 lockable, 100 mm diameter
Loading capacity	25 kg

Construction

Main material	Aluminium, PMMA
---------------	-----------------

Color

RAL 9016	
Custom color	

Certificates

Certificates conforms to	IEC60601-1:2012 (Edition 3)
CE	Rohs compliant