

# **CHA4-3-B**

Height adjustable cart, with laptop mount, mouse pad and power supply holder

## Chameleon 4 Range



*Ergonomic*



*Easy to clean*



*Multi purpose*



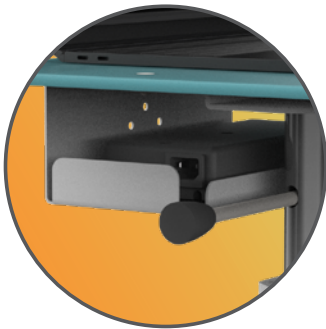
*Lifetime warranty*



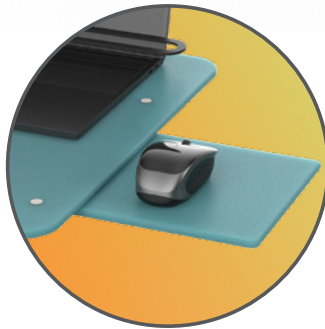
*Quick setup*



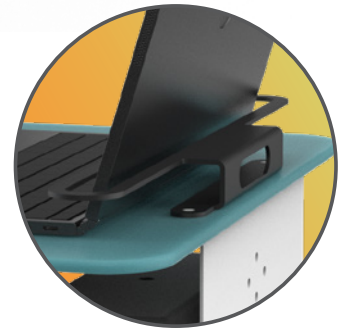
## FEATURES



*Power supply holder*



*Mouse pad*



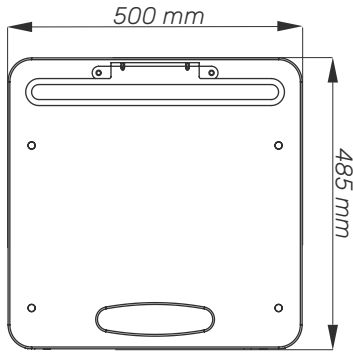
*Laptop protection up to 17"*



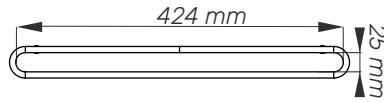
*Designed and manufactured in Hungary, products are typically 100% recyclable and upgradable in the future. Raw materials are sourced locally or in the EU.*

# Cart Properties

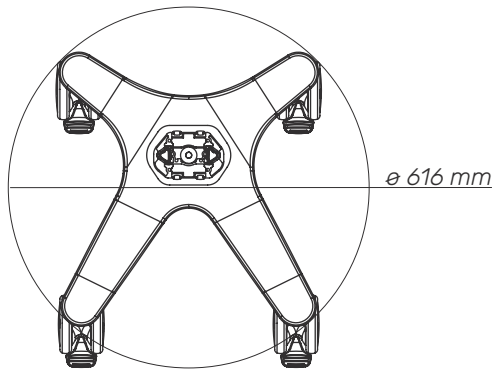
## Dimensions and mechanical data



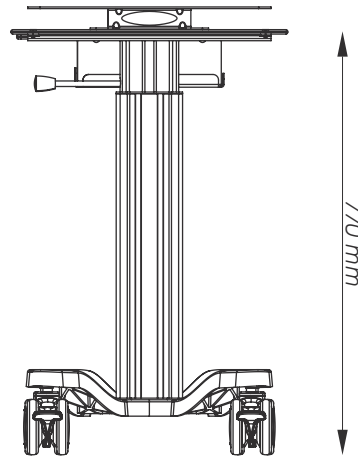
Work surface



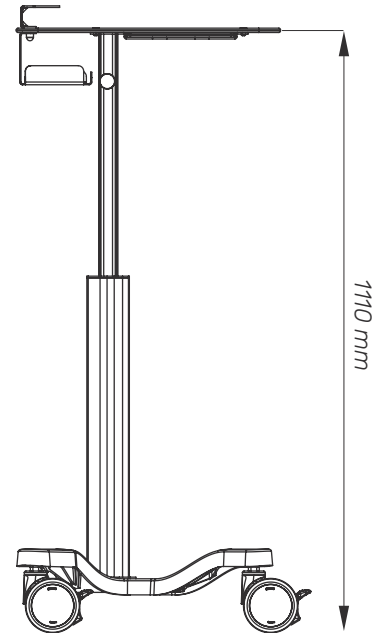
Laptop stand



Top



Front



Side


### Mechanical data

Work surface height	Min: 770 mm Max: 1110 mm
Wheelbase dimension	616 mm (diameter)
Work surface dimensions	Width: 500 mm Height: 485 mm
Wheels/locking	2 lockable, 100 mm diameter
Loading capacity	25 kg
Laptop protector	Up to 17"; Width: 424 mm

### Construction

Main material	Aluminium, PMMA
---------------	-----------------

### Color

RAL 9016	
Custom color	

### Certificates

Certificates conforms to	IEC60601-1:2012 (Edition 3)
CE	Rohs compliant