

CHA6-0-D2

Height adjustable cart
for general purposes with drawers

Chameleon 6 Range



Ergonomic



Easy to clean



Multi purpose



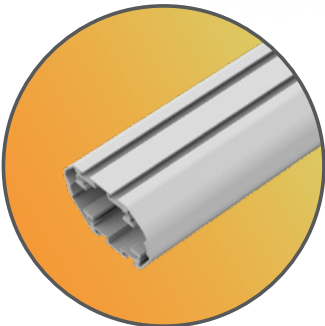
Lifetime warranty



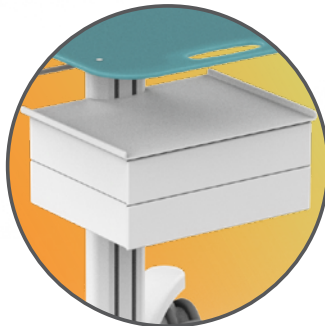
Quick setup



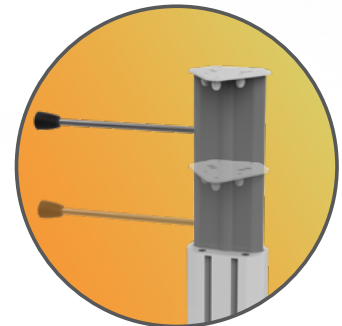
FEATURES



Built in channels to fix accessories



Push to open drawers



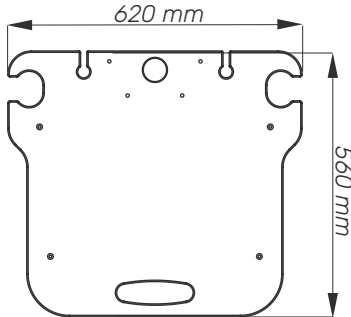
Height adjustment



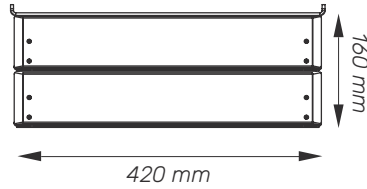
Designed and manufactured in Hungary, products are typically 100% recyclable and upgradable in the future. Raw materials are sourced locally or in the EU.

Cart Properties

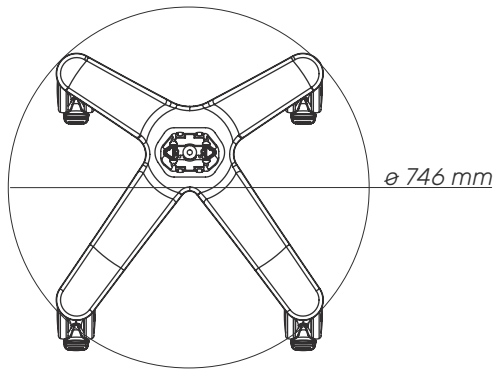
Dimensions and mechanical data



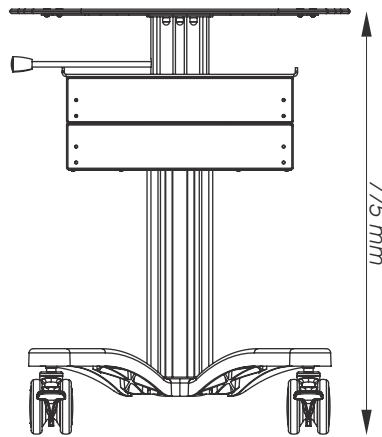
Worksurface



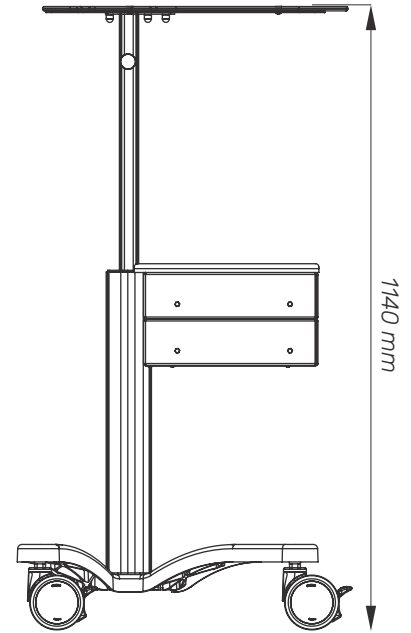
Drawer (Depth: 400 mm)



Top



Front



Side

Mechanical data

Height	Min: 775 mm Max: 1140 mm
Wheelbase dimension	746 mm (diameter)
Work surface dimensions	Width: 620 mm Height: 560 mm
Wheels/locking	2 lockable, 100mm diameter
Loading capacity	35 kg

Construction

Main material	Aluminium, PMMA
---------------	-----------------

Color

RAL 9016	
Custom color	

Certificates

Certificates conforms to	IEC60601-1:2012 (Edition 3)
CE	Rohs compliant