

CHA6-0

Height adjustable cart
for general purposes

Chameleon 6 Range



Ergonomic



Easy to clean



Multi purpose



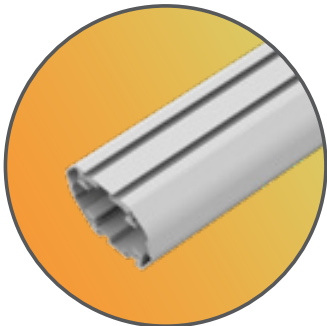
Lifetime warranty



Quick setup



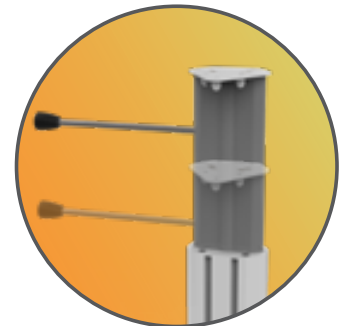
FEATURES



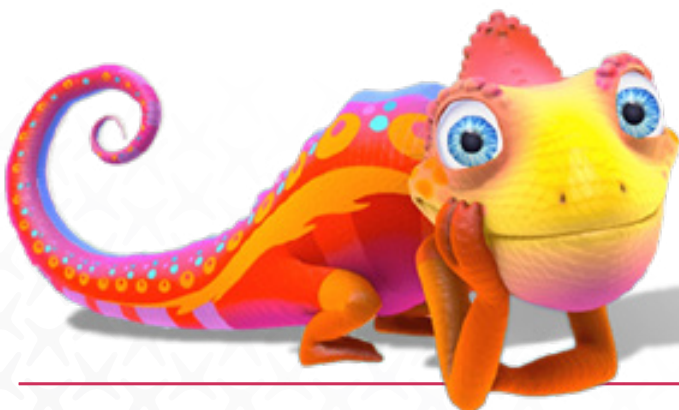
*Built in channels to fix
accessories*



Lockable wheels



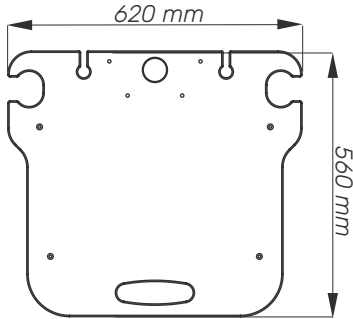
Height adjustment



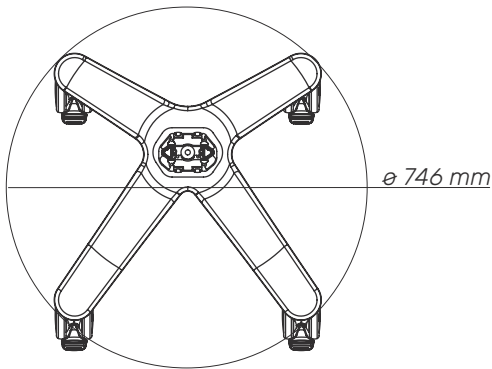
*Designed and manufactured in
Hungary, products are typically
100% recyclable and upgradable
in the future. Raw materials are
sourced locally or in the EU.*

Cart Properties

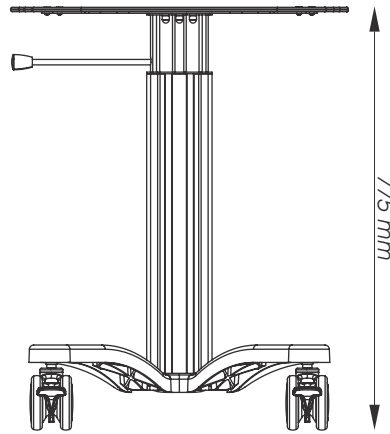
Dimensions and mechanical data



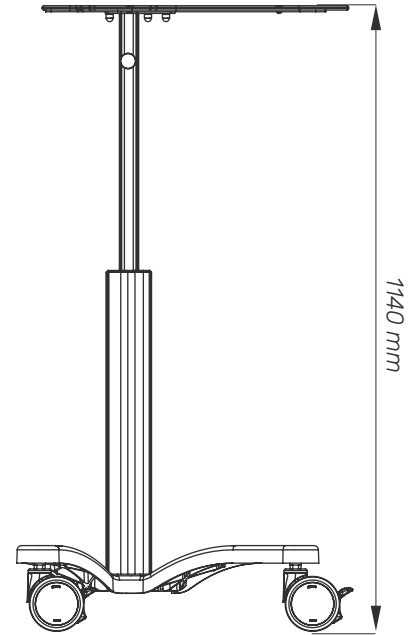
Worksurface



Top



Front



Side

Mechanical data

Height	Min: 775 mm Max: 1140 mm
Wheelbase dimension	746 mm (diameter)
Work surface dimensions	Width: 620 mm Height: 560 mm
Wheels/locking	2 lockable, 100mm diameter
Loading capacity	35 kg

Construction

Main material	Aluminium, PMMA
---------------	-----------------

Color

RAL 9016	
Custom color	

Certificates

Certificates conforms to	IEC60601-1:2012 (Edition 3)
CE	Rohs compliant