

# **CHA6-1**

Height adjustable cart  
with display mount

## **Chameleon 6 Range**



*Ergonomic*



*Easy to clean*



*Multi purpose*



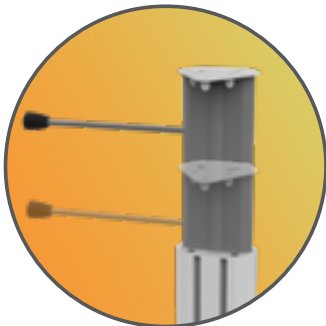
*Lifetime warranty*



*Quick setup*



## **FEATURES**



*Height adjustment and  
channels to fix accessories*



*Lockable wheels*



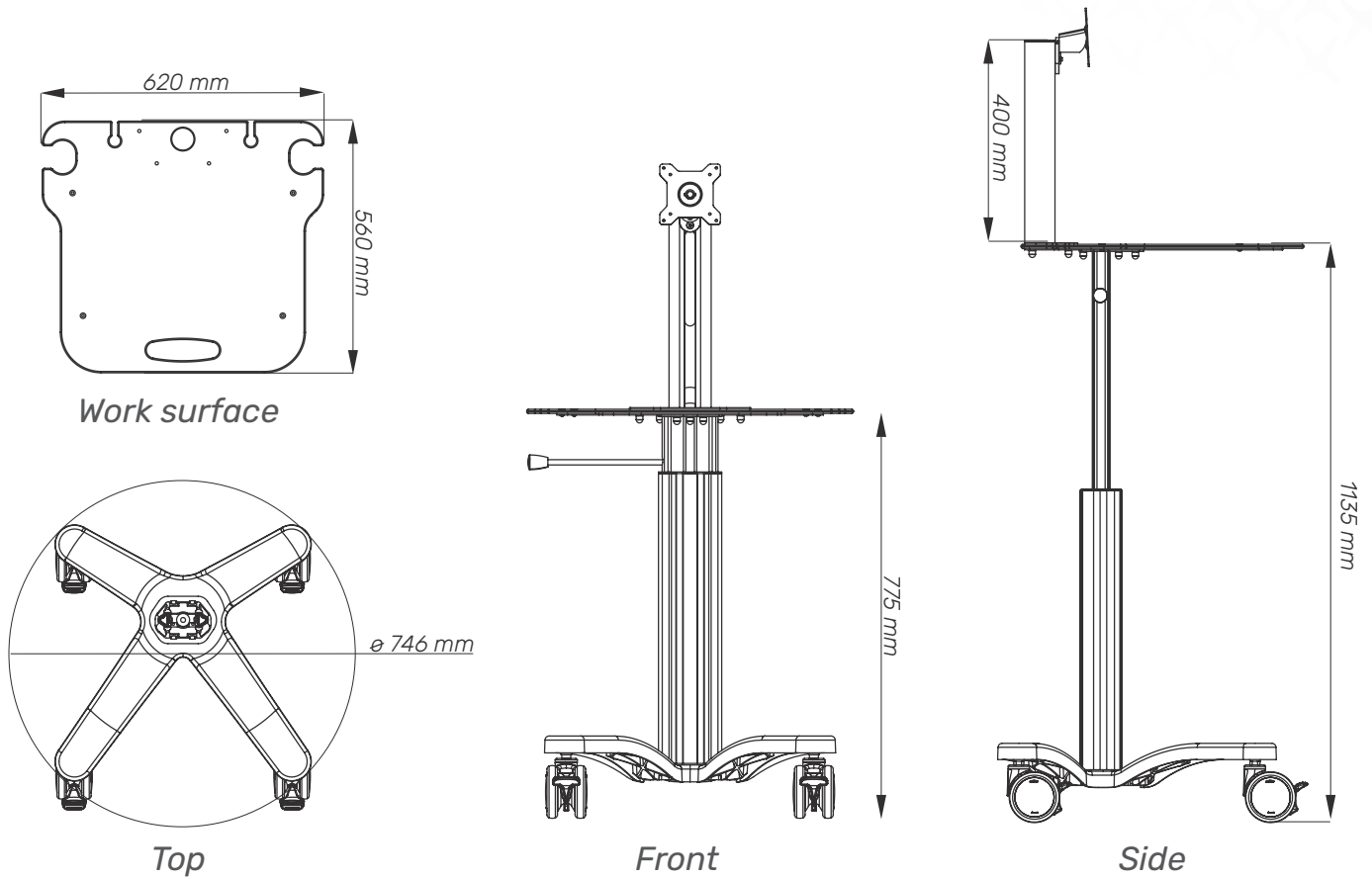
*Tiltable, rotatable, height  
adjustable Display Mount*



*Designed and manufactured in  
Hungary, products are typically  
100% recyclable and upgradable  
in the future. Raw materials are  
sourced locally or in the EU.*

# Cart Properties

## Dimensions and mechanical data



### Mechanical data

Height	Min: 775 mm Max: 1135 mm
Wheelbase dimension	746 mm (diameter)
Work surface dimensions	Width: 620 mm Height: 560 mm
Wheels/locking	2 lockable, 100mm diameter
Loading capacity	35 kg
VESA Mount hole pattern	75x75 mm; 100x100 mm
VESA Mount load capacity	6-12 kg

### Construction

Main material	Aluminium, PMMA
---------------	-----------------

### Color

RAL 9016	
Custom color	

### Certificates

Certificates conforms to	IEC60601-1:2012 (Edition 3)
CE	Rohs compliant