

CHA6-10

Height adjustable twin display mount cart
with keyboard tray and counter balance

Chameleon 6 Range



Ergonomic



Easy to clean



Multi purpose



Lifetime warranty



Quick setup



FEATURES



*Height adjustment and
channels to fix accessories*



Lockable wheels



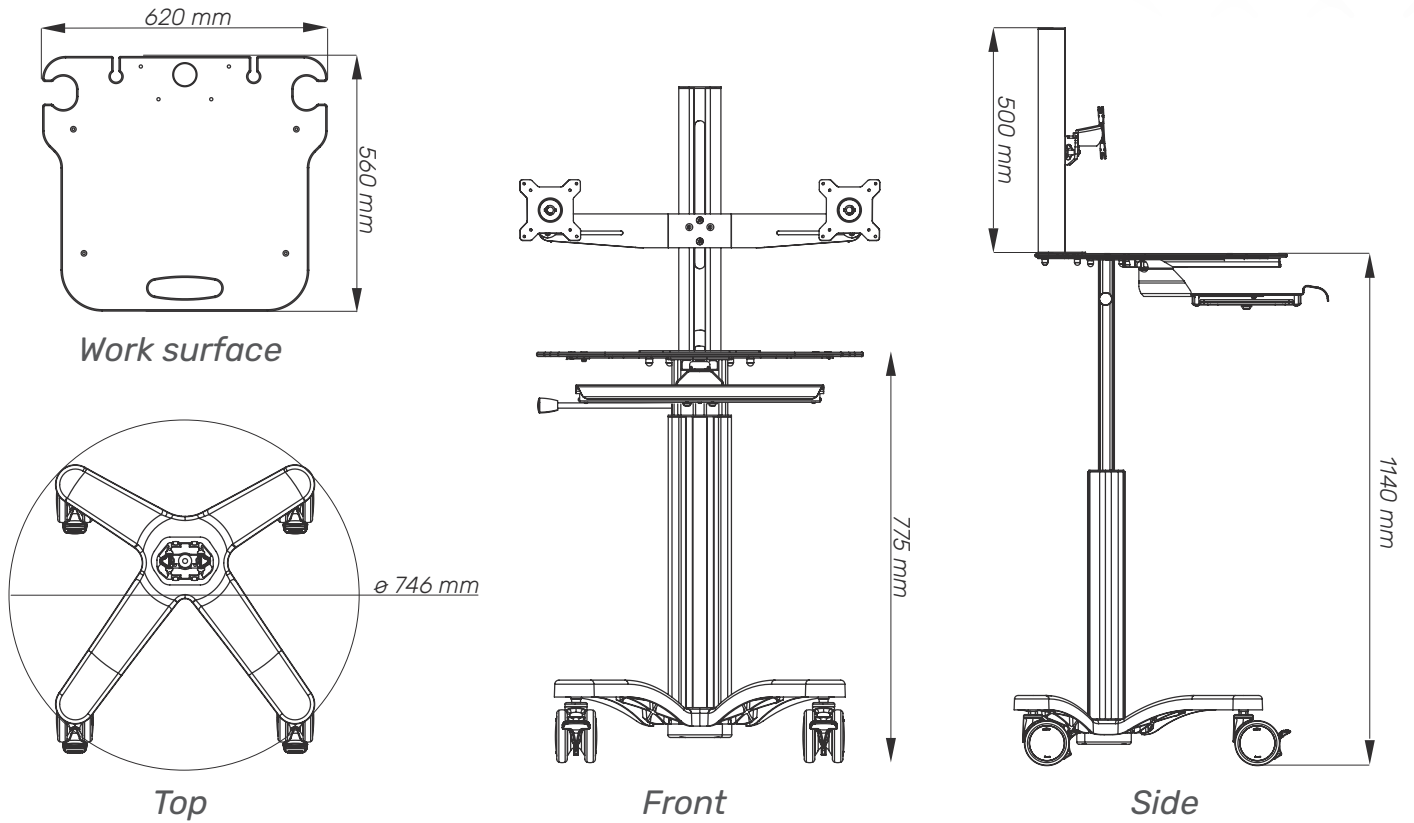
*Tiltable, rotatable, height
adjustable Display Mount*



*Designed and manufactured in
Hungary, products are typically
100% recyclable and upgradable
in the future. Raw materials are
sourced locally or in the EU.*

Cart Properties

Dimensions and mechanical data



Mechanical data

Height	Min: 775 mm Max: 1135 mm
Wheelbase dimension	746 mm (diameter)
Work surface dimensions	Width: 620 mm Height: 560 mm
Wheels/locking	2 lockable, 100mm diameter
Loading capacity	35 kg
VESA Mount hole pattern	75x75 mm; 100x100 mm
VESA Mount load capacity	6-12 kg

Construction

Main material	Aluminium, PMMA
---------------	-----------------

Color

RAL 9016	
Custom color	

Certificates

Certificates conforms to	IEC60601-1:2012 (Edition 3)
CE	Rohs compliant