

CHA6-3

Height adjustable cart
with laptop mount

Chameleon 6 Range



Ergonomic



Easy to clean



Multi purpose



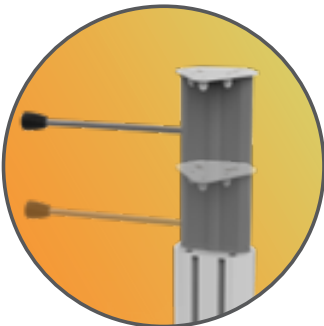
Lifetime warranty



Quick setup



FEATURES



*Height adjustment and
channels to fix accessories*



Lockable wheels



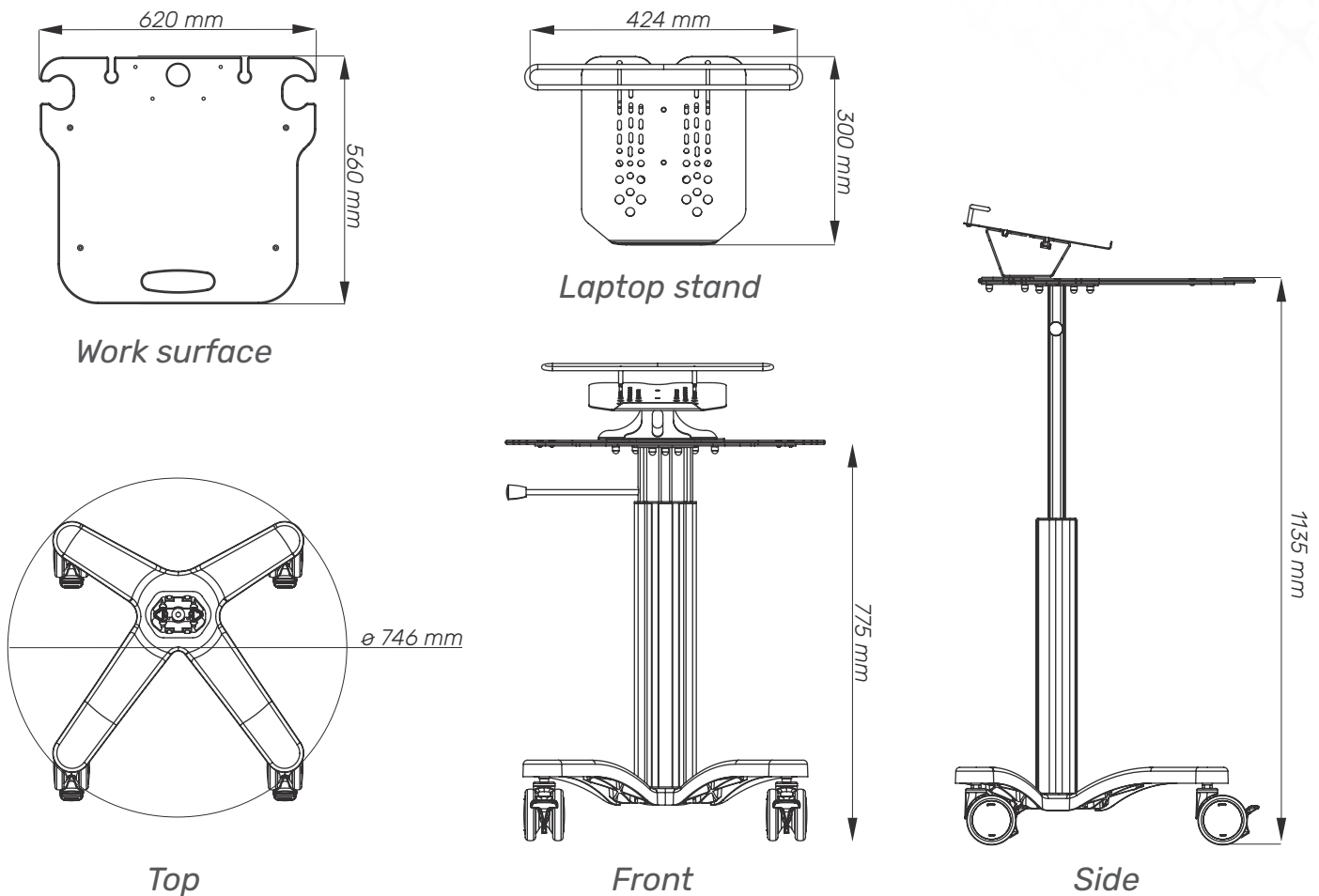
Laptop protection up to 17"



*Designed and manufactured in
Hungary, products are typically
100% recyclable and upgradable
in the future. Raw materials are
sourced locally or in the EU.*

Cart Properties

Dimensions and mechanical data



Mechanical data

Work surface height	Min.: 775 mm Max.: 1135 mm
Wheelbase dimension	746 mm (diameter)
Work surface dimensions	Width: 540 mm Height: 560 mm
Wheels/locking	2 lockable, 100 mm diameter
Loading capacity	35 kg
Laptop stand	Up to 17"; Width: 424 mm; Length: 300 mm

Construction

Main material	Aluminium, PMMA
---------------	-----------------

Color

RAL 9016	
Custom color	

Certificates

Certificates conforms to	IEC60601-1:2012 (Edition 3)
CE	Rohs compliant