

CHA6-4

Height adjustable cart with keyboard tray and display mount up to 24".

Chameleon 6 Range



Ergonomic



Easy to clean



Multi purpose



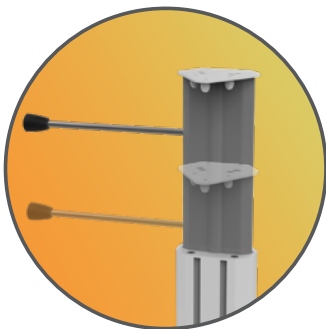
Lifetime warranty



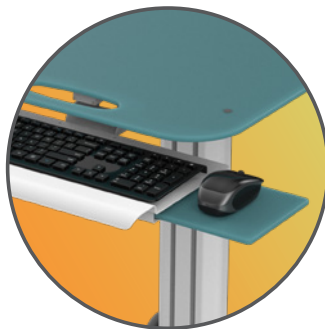
Quick setup



FEATURES



Height adjustment and channels to fix accessories



Keyboard tray with mouse pad



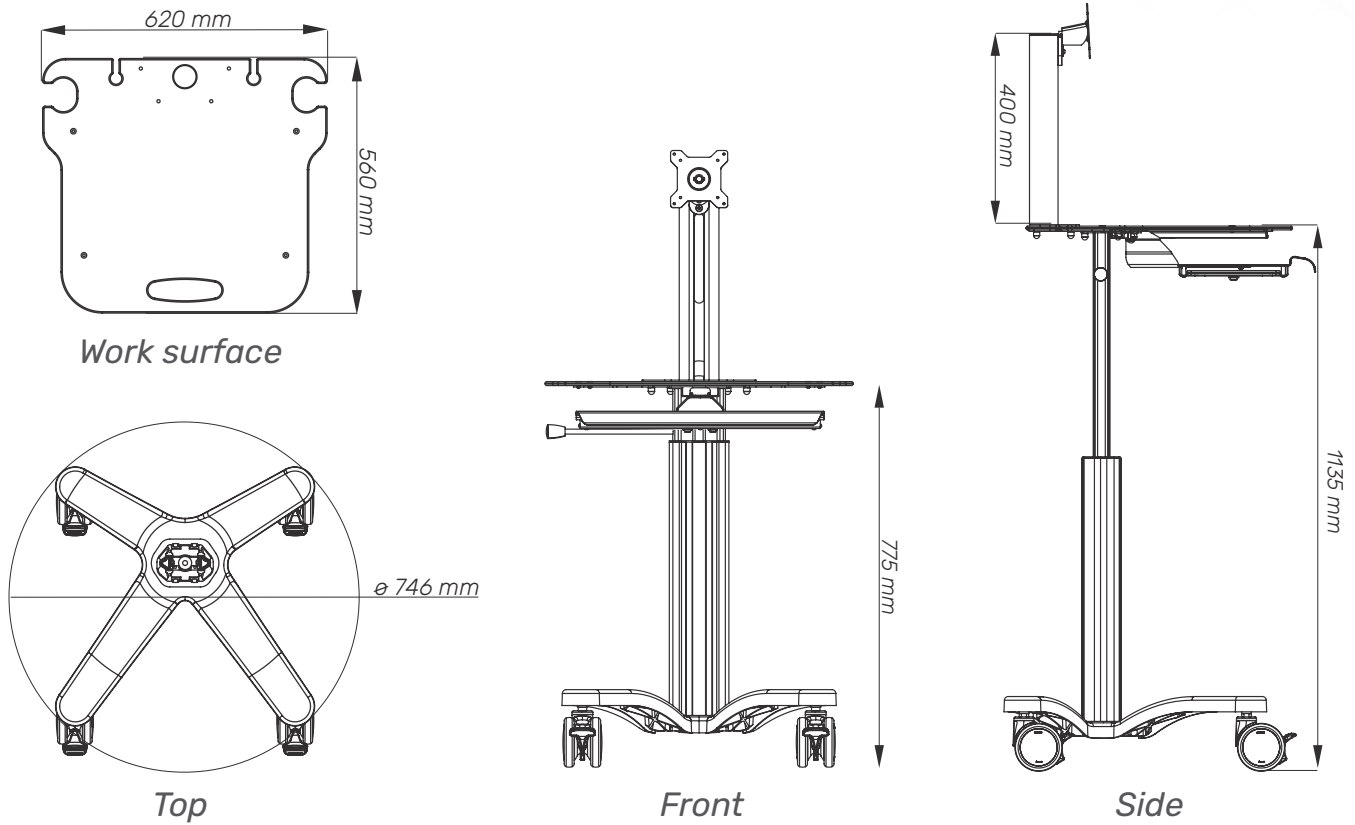
Tiltable, rotatable, height adjustable Display Mount



Designed and manufactured in Hungary, products are typically 100% recyclable and upgradable in the future. Raw materials are sourced locally or in the EU.

Cart Properties

Dimensions and mechanical data





Mechanical data

| | |
|--------------------------|------------------------------|
| Height | Min: 775 mm Max: 1135 mm |
| Wheelbase dimension | 746 mm (diameter) |
| Work surface dimensions | Width: 620 mm Height: 560 mm |
| Wheels/locking | 2 lockable, 100mm diameter |
| Loading capacity | 35 kg |
| VESA Mount hole pattern | 75x75 mm; 100x100 mm |
| VESA Mount load capacity | 6-12 kg up to 24" |

Construction

| | |
|---------------|-----------------|
| Main material | Aluminium, PMMA |
|---------------|-----------------|

Color

| | |
|--------------|---|
| RAL 9016 |  |
| Custom color |  |

Certificates

| | |
|--------------------------|-----------------------------|
| Certificates conforms to | IEC60601-1:2012 (Edition 3) |
| CE | Rohs compliant |