

# **CHA6-5**

Height adjustable cart with keyboard tray and laptop mount

## **Chameleon 6 Range**



*Ergonomic*



*Easy to clean*



*Multi purpose*



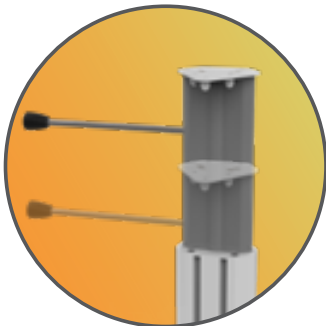
*Lifetime warranty*



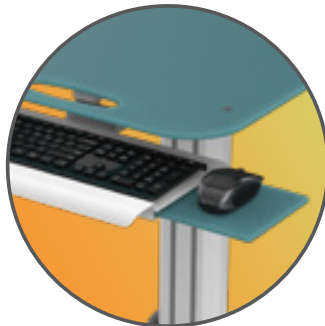
*Quick setup*



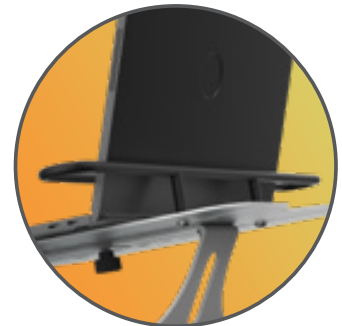
## **FEATURES**



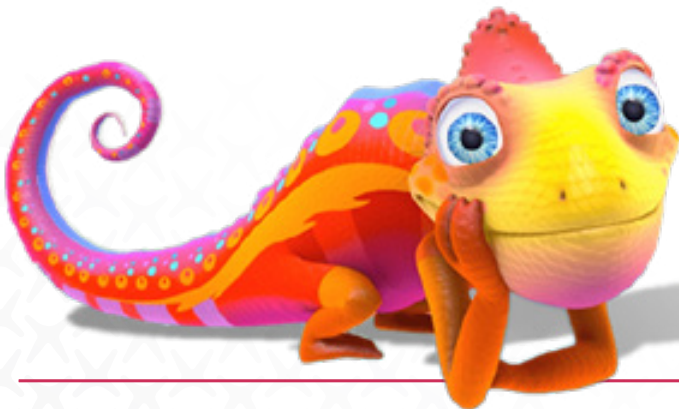
*Height adjustment and channels to fix accessories*



*Keyboard tray with mouse pad*



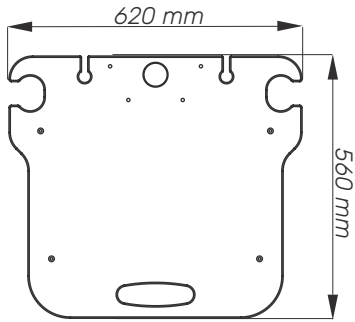
*Laptop protection up to 17"*



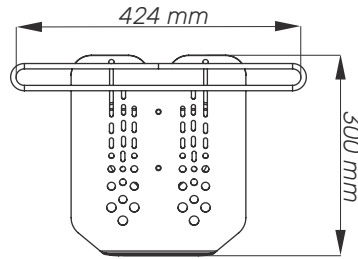
*Designed and manufactured in Hungary, products are typically 100% recyclable and upgradable in the future. Raw materials are sourced locally or in the EU.*

# Cart Properties

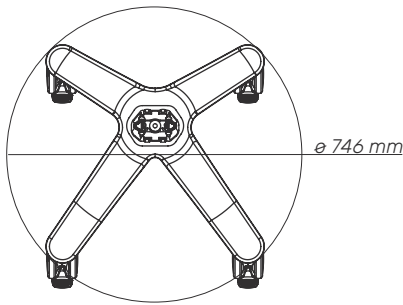
## Dimensions and mechanical data



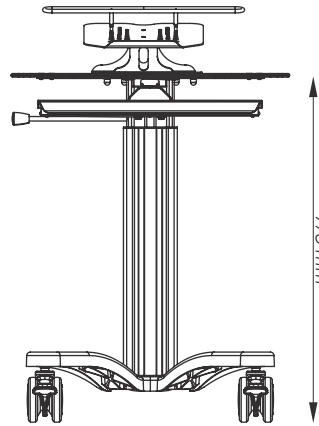
Work surface



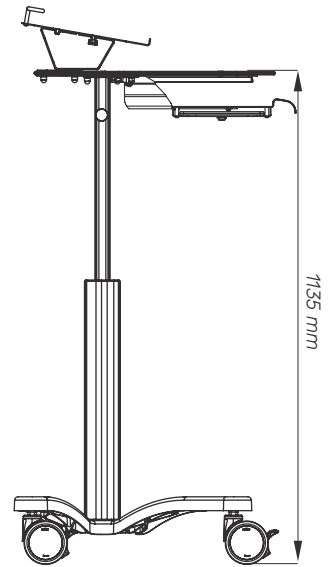
Laptop stand



Top



Front



Side



### Mechanical data

Work surface height	Min.: 775 mm Max.: 1135 mm
Wheelbase dimension	746 mm (diameter)
Work surface dimensions	Width: 540 mm Height: 560 mm
Wheels/locking	2 lockable, 100 mm diameter
Loading capacity	65 kg
Laptop stand	Up to 17"; Width: 424 mm; Length: 300 mm

### Construction

Main material	Aluminium, PMMA
---------------	-----------------

### Color

RAL 9016	
Custom color	

### Certificates

Certificates conforms to	IEC60601-1:2012 (Edition 3)
CE	Rohs compliant