

# GIR4-3-0077

Giraffe cart with storages, DIN Rail, Power strip

## Giraffe 4 Range



Ergonomic



Easy to clean



Multi purpose



Lifetime warranty



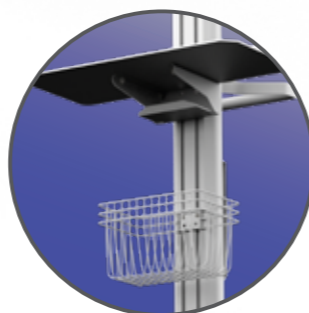
Quick setup



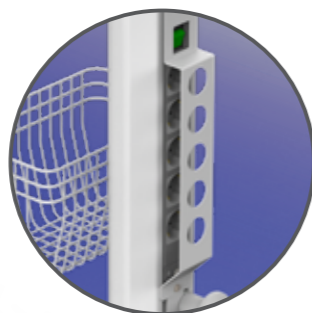
## FEATURES



Designed and manufactured in Hungary, products are typically 100% recyclable and upgradable in the future. Raw materials are sourced locally or in the EU.



Shelves, Storage, Power supply holder



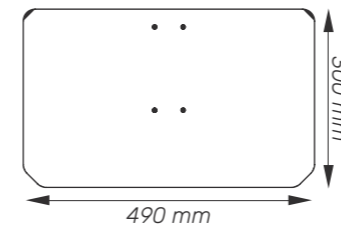
Power strip



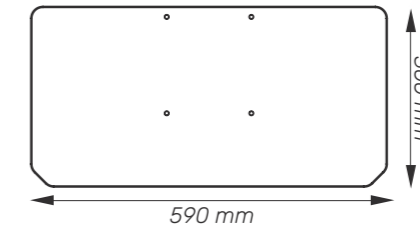
DIN Rail & Handle

# Cart Properties

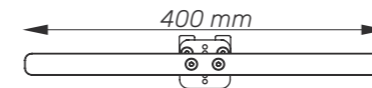
Dimensions and mechanical data



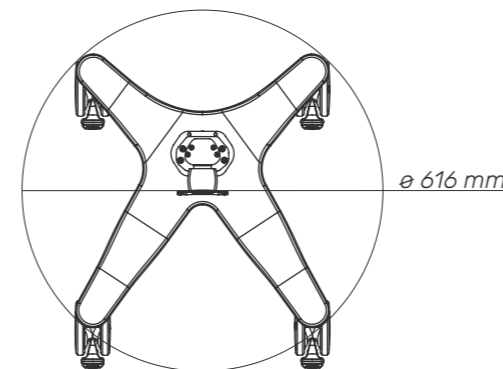
Lower shelf



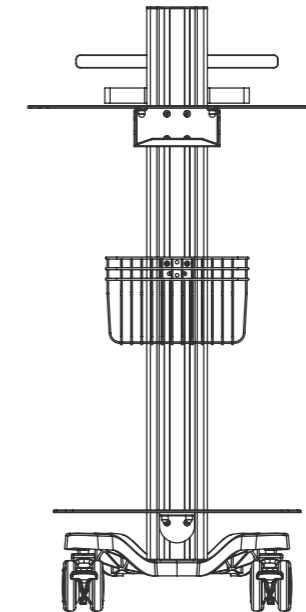
Upper shelf



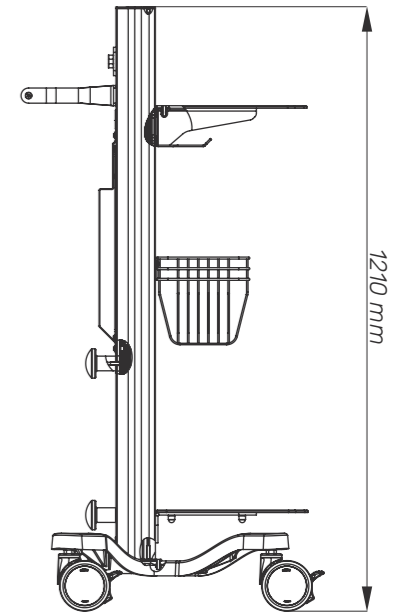
DIN Rail



Base



Front



Side

### Mechanical data

Height	1100 mm
Wheelbase dimension	616 mm (diameter)
Wheel construction	Polyamide with Polyurethane tread
Wheels/locking	2 lockable, 100 mm diameter
Loading capacity	25 kg
Power strip	5 plugs

### Construction

Main material	Aluminium
---------------	-----------

### Color

RAL 9016	
Custom color	

### Certificates

Certificates conforms to	IEC60601-1:2012 (Edition 3)
CE	Rohs compliant