



GIR6-3-0061

Giraffe cart with Computer holder,
Keyboard tray and display mount

Giraffe 6 Range



Ergonomic



Easy to clean



Multi purpose



Lifetime warranty



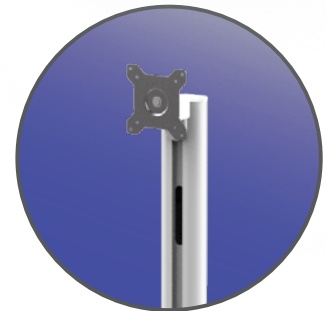
Quick setup



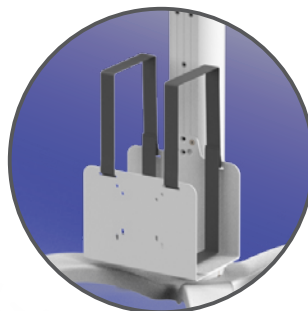
FEATURES



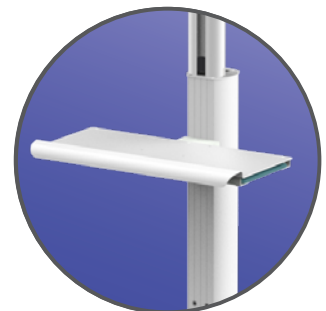
Designed and manufactured in Hungary, products are typically 100% recyclable and upgradable in the future. Raw materials are sourced locally or in the EU.



Display mount



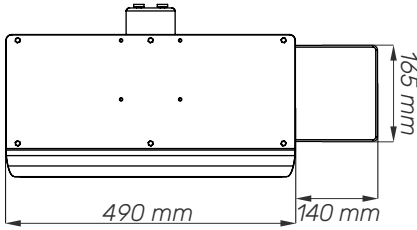
Computer mount



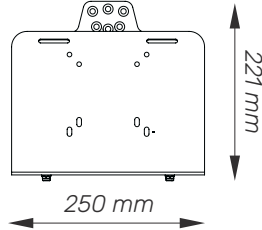
Keyboard tray with mouse pad

Cart Properties

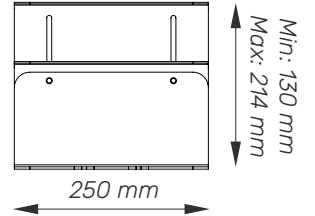
Dimensions and mechanical data



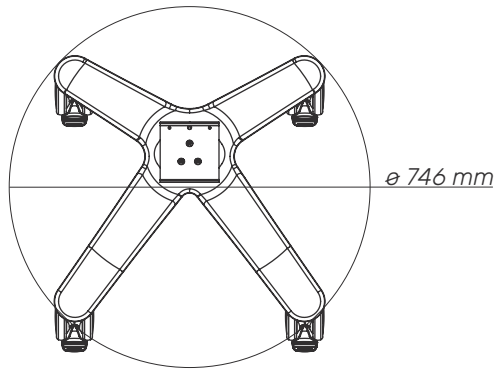
Keyboard tray



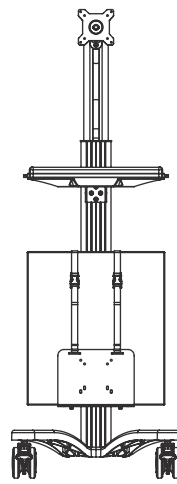
Computer holder (Front)



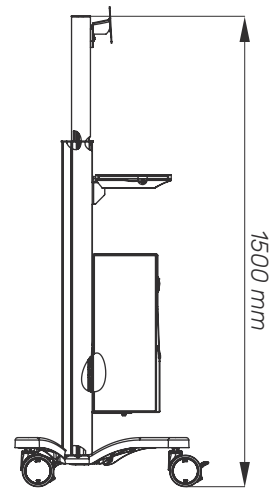
Computer holder (Bottom)



Base



Front



Side



Mechanical data

Height	1500 mm
Wheelbase dimension	746 mm (diameter)
Wheel construction	Polyamide with Polyurethane tread
Wheels/locking	2 lockable, 100 mm diameter
Loading capacity	35 kg
Computer mound width	130-214 mm

Construction

Main material	Aluminium
---------------	-----------

Color

RAL 9016	
Custom color	

Certificates

Certificates conforms to	IEC60601-1:2012 (Edition 3)
CE	Rohs compliant