

GIR6-3-0065

Giraffe cart with Display mount, Power supply holder, Handle and Hook

Giraffe 6 Range



Ergonomic



Easy to clean



Multi purpose



Lifetime warranty



Quick setup



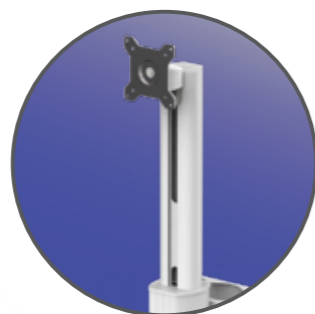
FEATURES



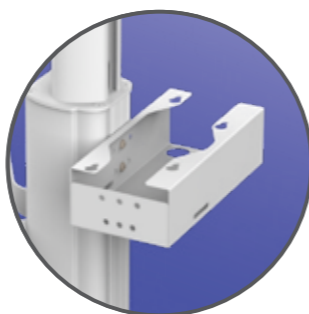
Designed and manufactured in Hungary, products are typically 100% recyclable and upgradable in the future. Raw materials are sourced locally or in the EU.



Storage



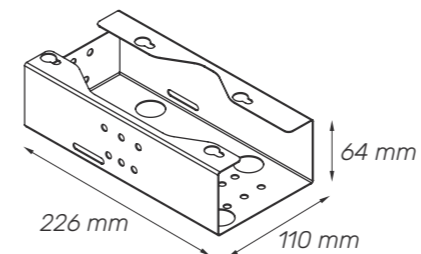
Display mount



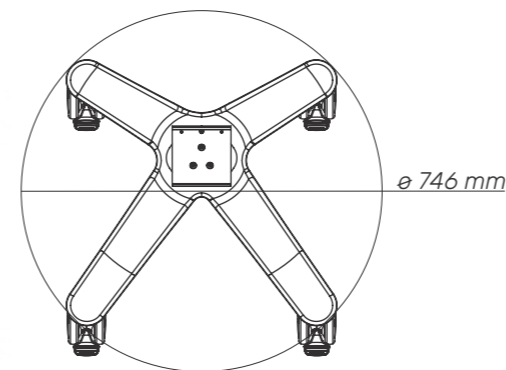
Power supply holder

Cart Properties

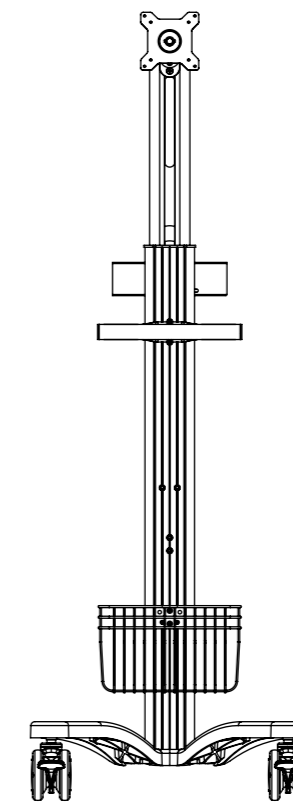
Dimensions and mechanical data



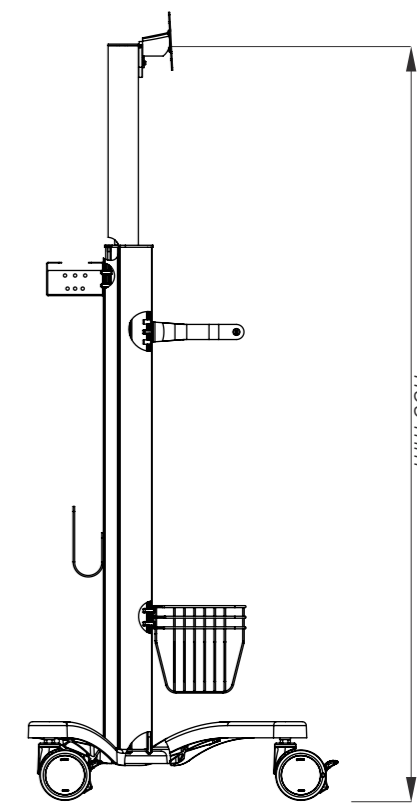
Power supply holder



Base



Front



Side



Mechanical data

Height	1100 mm
Wheelbase dimension	746 mm (diameter)
Wheel construction	Polyamide with Polyurethane tread
Wheels/locking	2 lockable, 100 mm diameter
Loading capacity	65 kg

Construction

Main material	Aluminium
---------------	-----------

Color

RAL 9016	
Custom color	

Certificates

Certificates conforms to	IEC60601-1:2012 (Edition 3)
CE	Rohs compliant