



GIR6-3-0076

Giraffe cart with Display mount, Work surface, DIN Rail, Handle, Power strip, Shelves and Basket

Giraffe 6 Range



Ergonomic



Easy to clean



Multi purpose



Lifetime warranty



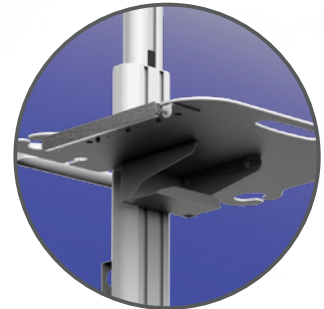
Quick setup



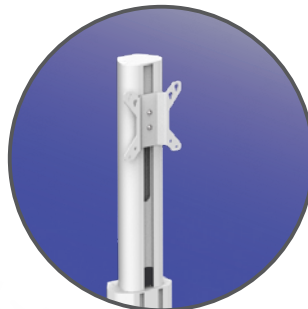
FEATURES



Designed and manufactured in Hungary, products are typically 100% recyclable and upgradable in the future. Raw materials are sourced locally or in the EU.



Work surface with Power supply holder and DIN Rail



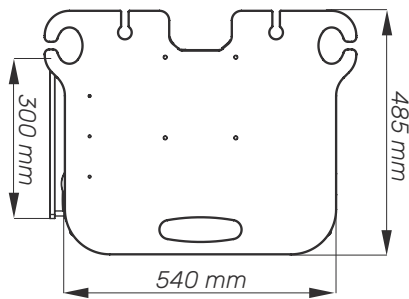
Display mount



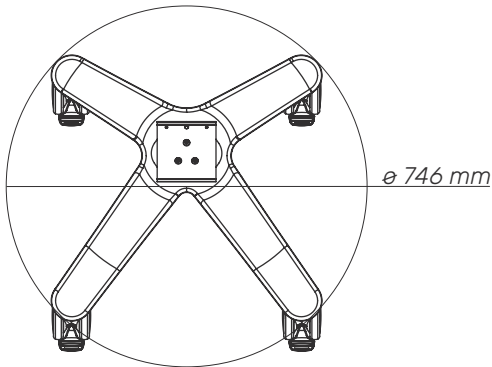
Power strip with cable management

Cart Properties

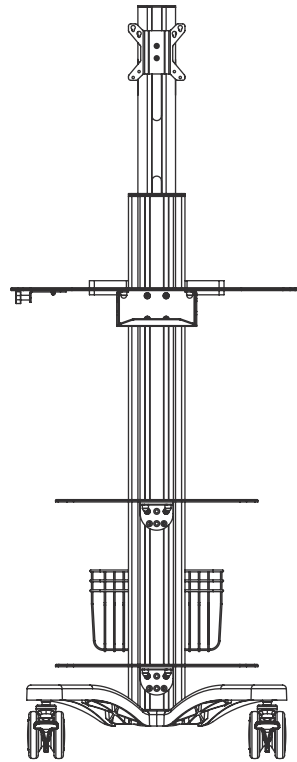
Dimensions and mechanical data



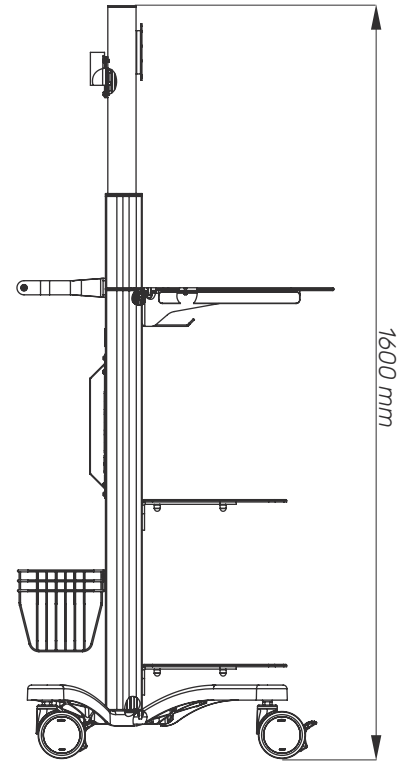
Work surface & DIN Rail



Base



Front



Side



Mechanical data

Height	1600 mm
Wheelbase dimension	746 mm (diameter)
Wheel construction	Polyamide with Polyurethane tread
Wheels/locking	2 lockable, 100 mm diameter
Loading capacity	35 kg
Power strip	3 plugs

Construction

Main material	Aluminium
---------------	-----------

Color

RAL 9016	
Custom color	

Certificates

Certificates conforms to	IEC60601-1:2012 (Edition 3)
CE	Rohs compliant