



# GIR6-3-0138

Giraffe cart with Display mount, Drawers and Storage

## Giraffe 6 Range



*Ergonomic*



*Easy to clean*



*Multi purpose*



*Lifetime warranty*



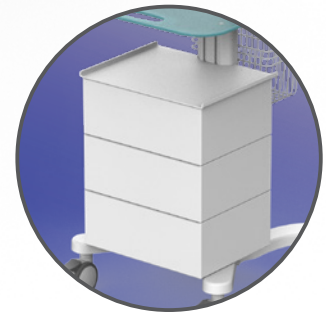
*Quick setup*



## FEATURES



*Designed and manufactured in Hungary, products are typically 100% recyclable and upgradable in the future. Raw materials are sourced locally or in the EU.*



*Push to open drawers*



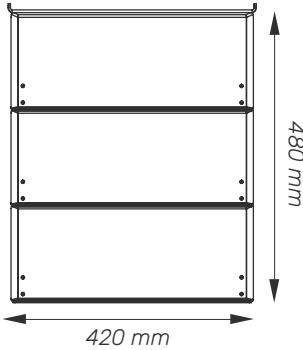
*Display mount*



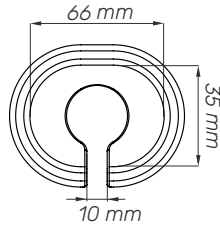
*Storage and power strip*

# Cart Properties

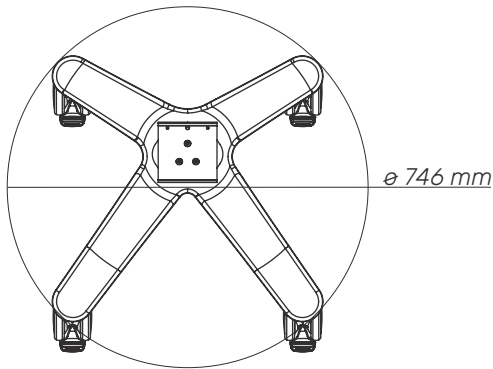
## Dimensions and mechanical data



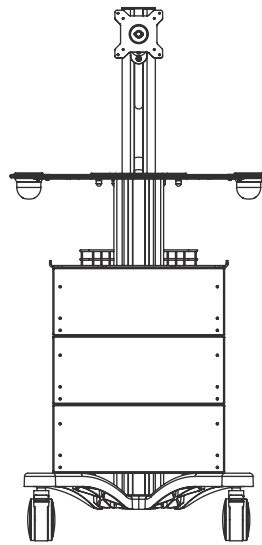
Drawer (Depth: 400 mm)



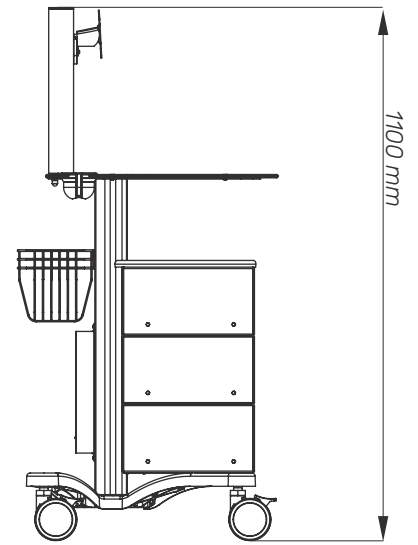
Rubber Holders



Base



Front



Side



### Mechanical data

Height	1100 mm
Wheelbase dimension	746 mm (diameter)
Wheel construction	Polyamide with Polyurethane tread
Wheels/locking	2 lockable, 100 mm diameter
Loading capacity	65 kg
Power strip	4 plugs

### Construction

Main material	Aluminium
---------------	-----------

### Color

RAL 9016	
Custom color	

### Certificates

Certificates conforms to	IEC60601-1:2012 (Edition 3)
CE	Rohs compliant