

# GIR6-V0

Ventilator cart with gas bottle holder

## Giraffe 6 Range



Ergonomic



Easy to clean



Multi purpose



Lifetime warranty



Quick setup



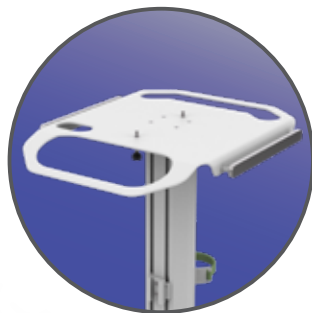
## FEATURES



Designed and manufactured in Hungary, products are typically 100% recyclable and upgradable in the future. Raw materials are sourced locally or in the EU.



Bottle holder and basket



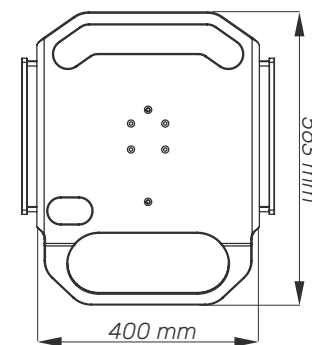
Multipurpose Top Plate



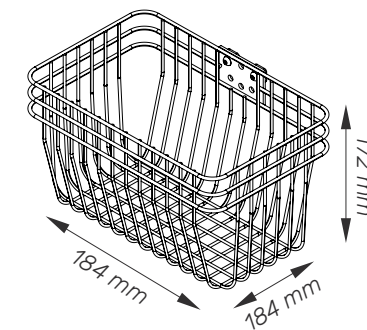
Lockable wheels

# Cart Properties

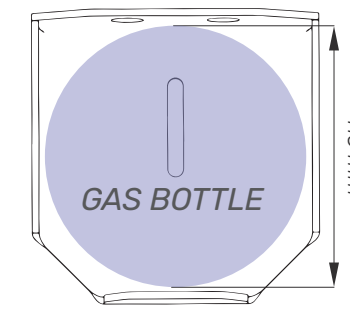
Dimensions and mechanical data



Top Plate



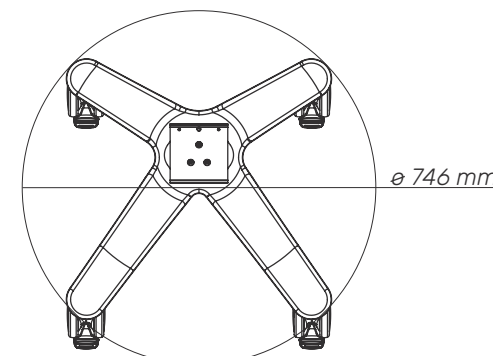
Basket



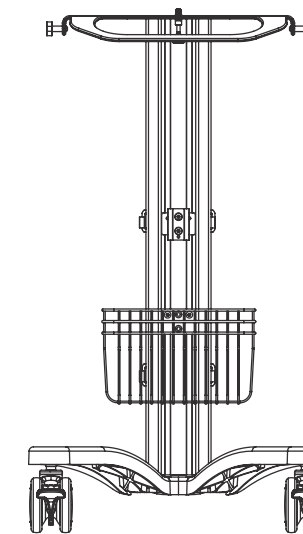
Bottle Holder



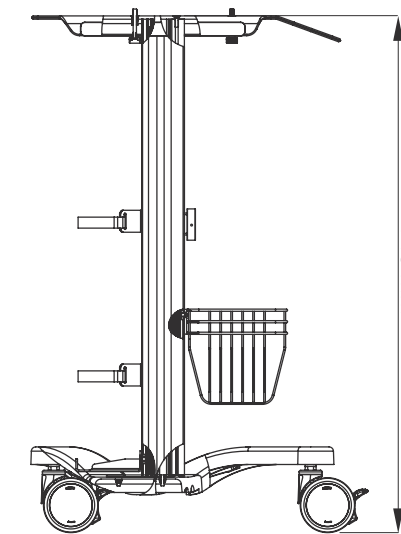
DIN Rail



Base



Front



Side



### Mechanical data

Height	940 mm
Wheelbase dimension	746 mm (diameter)
Wheel construction	Polyamide with Polyurethane tread
Wheels/locking	2 lockable, 100 mm diameter
Loading capacity	65 kg
Max bottle diameter	110 mm

### Construction

Main material	Aluminium
---------------	-----------

### Color

RAL 9016	
Custom color	

### Certificates

Certificates conforms to	IEC60601-1:2012 (Edition 3)
CE	Rohs compliant