



GIR7-6-G

Twin gas bottle cart with quick release mount
Giraffe 7 Range



Ergonomic



Easy to clean



Multi purpose



Lifetime warranty



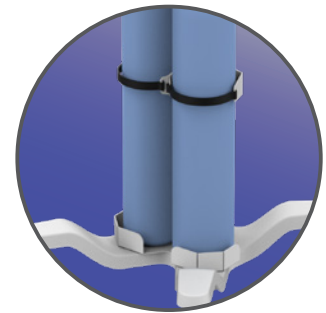
Quick setup



FEATURES



Designed and manufactured in Hungary, products are typically 100% recyclable and upgradable in the future. Raw materials are sourced locally or in the EU.



Bottle holders with straps



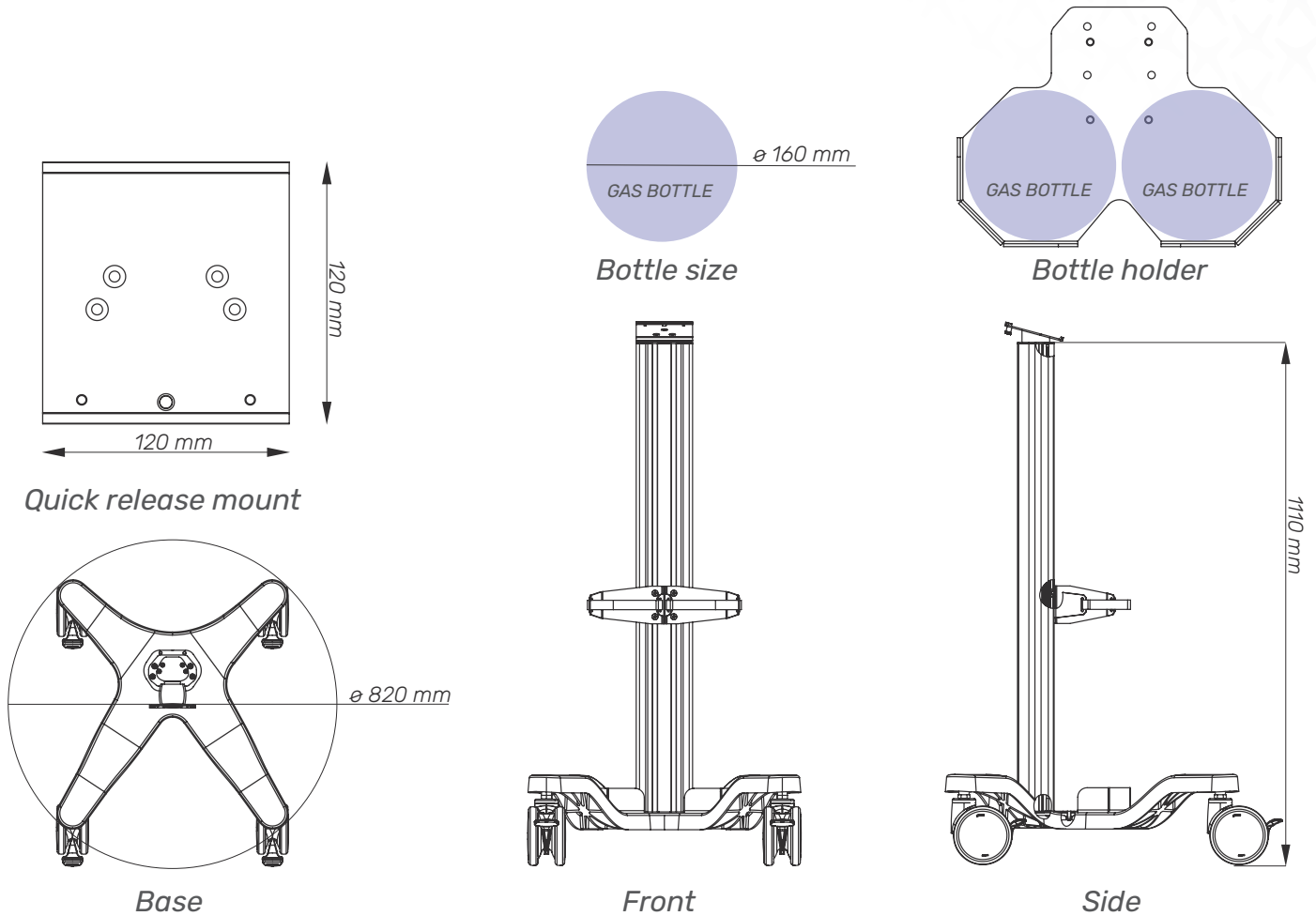
Quick Release Mount



Lockable wheels

Cart Properties

Dimensions and mechanical data



Mechanical data	
Height	1100 mm
Wheelbase dimension	820 mm (diameter)
Wheel construction	Polyamide with Polyurethane tread
Wheels/locking	2 lockable, 125 mm diameter
Loading capacity	85 kg
Max bottle diameter	160 mm
Construction	
Main material	Aluminium
Color	
RAL 9016	
Custom color	
Certificates	
Certificates conforms to	IEC60601-1:2012 (Edition 3)
CE	Rohs compliant