



# GIR8-3-0090

Giraffe cart with Display mount, Power supply holders, Basket, DIN Rail, Cable hook, Transformer holder with cable management

## Giraffe 8 Range



*Ergonomic*



*Easy to clean*



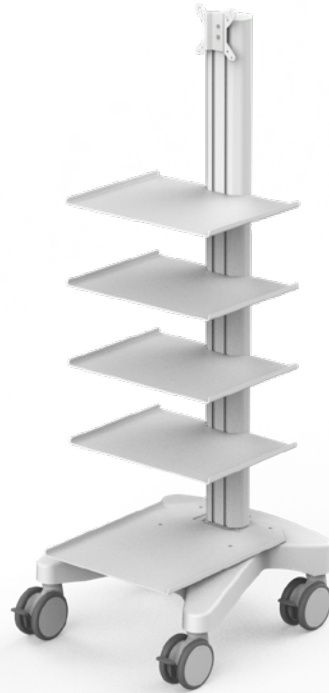
*Multi purpose*



*Lifetime warranty*



*Quick setup*



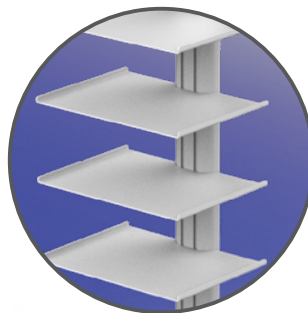
## FEATURES



*Designed and manufactured in Hungary, products are typically 100% recyclable and upgradable in the future. Raw materials are sourced locally or in the EU.*



*Display mount with cable management*



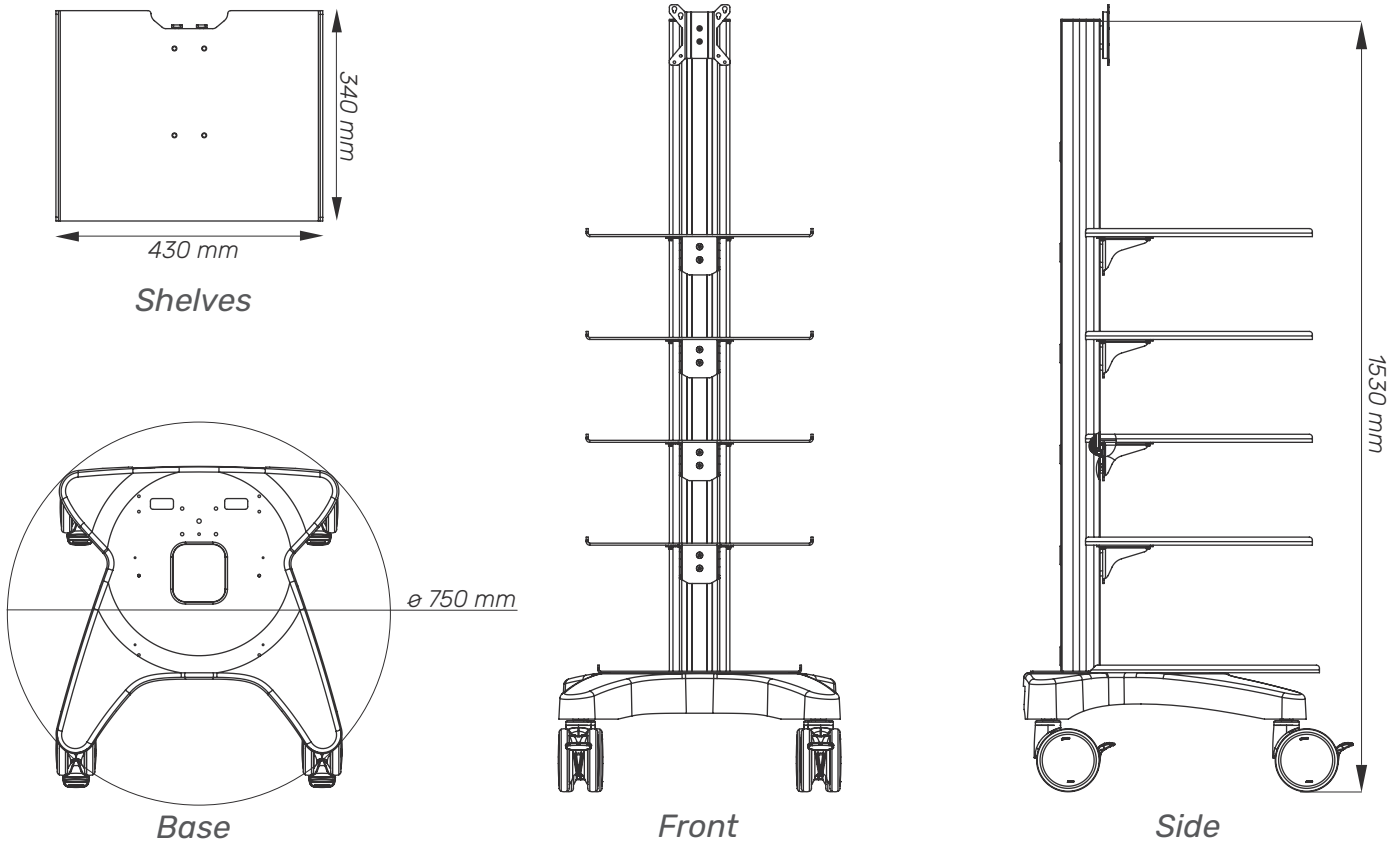
*Multiple shelves*



*Cable management holes*

# Cart Properties

## Dimensions and mechanical data



<b>Mechanical data</b>	
Height	1530 mm
Wheelbase dimension	750 mm (diameter)
Wheel construction	Polyamide with Polyurethane tread
Wheels/locking	2 lockable, 100 mm diameter
Loading capacity	80 kg
<b>Construction</b>	
Main material	Aluminium
<b>Color</b>	
RAL 9016	
Custom color	
<b>Certificates</b>	
Certificates conforms to	IEC60601-1:2012 (Edition 3)
CE	Rohs compliant